

Installation Instructions

Model Number 1026-00

Assembly Components:

- UL94-5VA PBT/PC blended plastic wall mount enclosure with universal mounting plate – 1 each
- #6 - 32 screw (for attaching access points) – 4 each
- #8 - 32 screw (for attaching access points) – 4 each
- #10 - 32 screw (for securing lid) – 4 each
- 20 x .25" screw (for attaching mounting feet) – 4 each
- Mounting feet – 4 each
- Door screws – 4 each
- Installation Instructions – 1 each

If any of these items are missing, contact your Oberon representative.

Find a flat work surface to assemble the enclosure, access point's mounting plate, and antenna(s) prior to mounting on wall (Figure 1).

Step 1 – Place the enclosure assembly on the work surface with the door open.



Figure 1

Step 2 – Use the *mounting hole legend* to determine the mounting hole locations for the type of *access point* chosen. Securely fasten the *access point's mounting bracket* to the enclosure's universal mounting plate using (4) #6-32 screws or (4) #8-32 screws as defined by the mounting hole legend (Figure 4). **Cisco AIR-AP-BRACKET-1 is used for Cisco 1040, 1140, 1260, 3500, and 3600 series APs.**

Step 3 – Secure the mounting feet to the back of the enclosure with the four (4) 20 x .25" screws with 30 in. lbs. of torque (Figure 2).

The assembled unit is now ready for wall mounting.

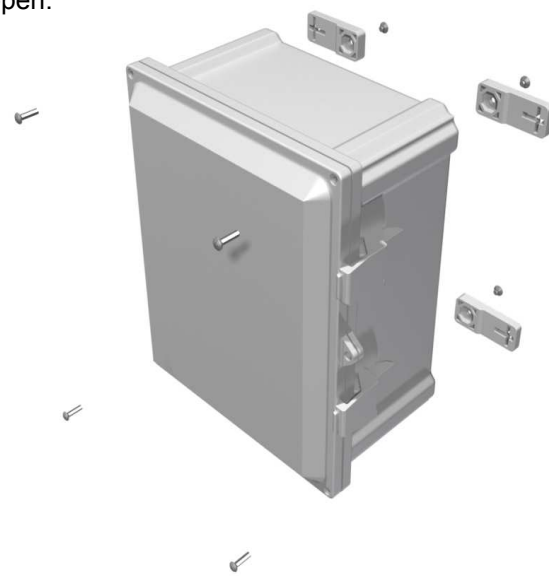


Figure 2

Step 4 – Place the enclosure on the wall where it is to be installed (it is recommended that you mount directly to a stud) and mark the screw locations. Use a minimum of two (4) #10 x 2" (not included) or larger screws to secure the enclosure in place. However, if there is no stud at the mounting location, it is recommended that you use a minimum of 4 suitable anchors to secure the enclosure in place (Figure 3).

Step 5 – Install the *access point* in the enclosure and attach the data, power and antenna cables as required. Secure lid to enclosure by fastening it with the two lid clasps and (4) #10-32 screws with 15 in. lbs. of torque (Figure 2). Additional security can be added by attaching a lock(not included) to the lock clasp. You will need to drill holes in the enclosure to run data and/or power to the access point. A conduit clamp may be used to secure these cables to the enclosure. In order to maintain a separation of signal and power, data and power cables should enter through separate conduits.

Note: For NEMA4 compliance, the access holes in the bottom of the enclosure should be sealed to prevent water ingress.

⚠IMPORTANT**** - *Since the enclosure is non-metallic, bonding between metallic conduit is not automatic. Separate bonding must be provided.*

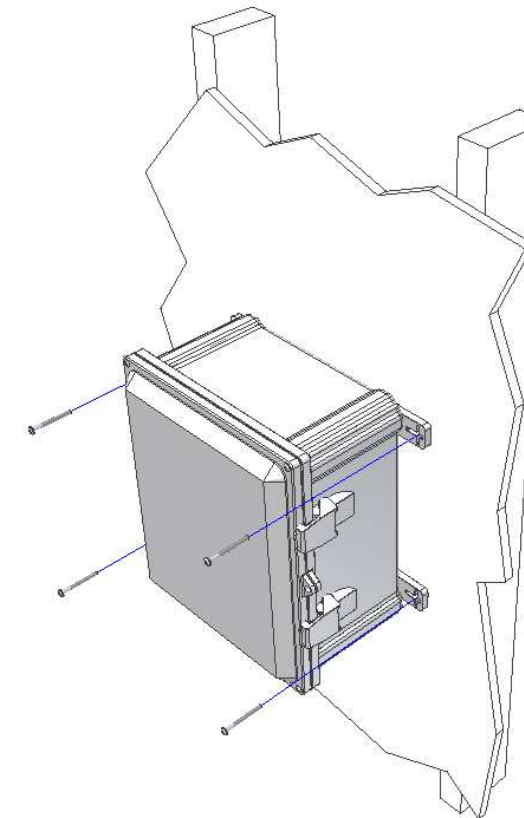
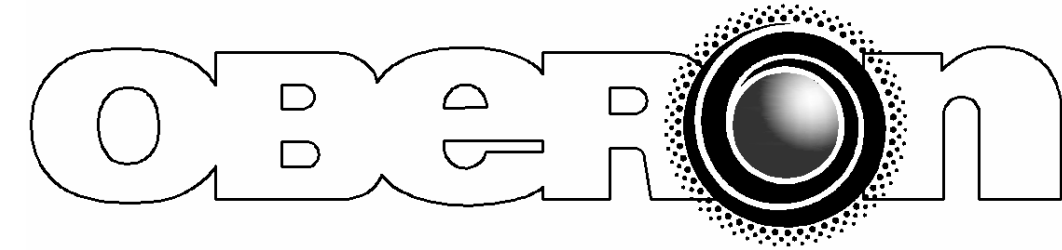


Figure 3



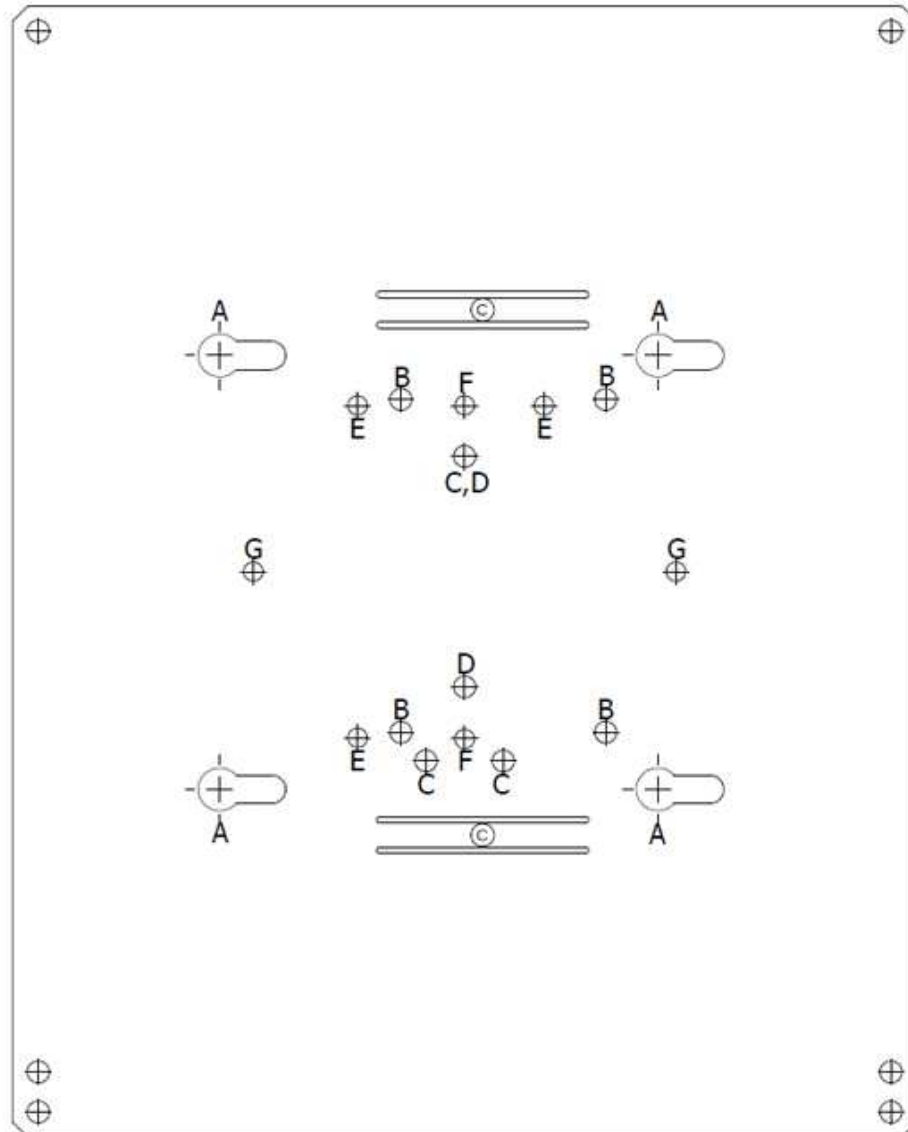
MODEL 1026-00

Installation Instructions

**** WARNING ****

Please thoroughly read the product warning below before installation to provide for a safe work environment.

1. Always consider the hazard to other people:
 - a. During installation, use warning signs, etc.
 - b. Don't work with people directly below the work area as equipment could fall and cause an injury
2. Be sure to securely fasten the enclosure to the wall or ceiling to prevent the enclosure from becoming dislodged.



- A - Cisco 1040, 1140, 1260, 3500, 3600 Series APs
- B - Cisco AIR-AP-BRACKET-2 and older APs
- C - Enterasys Hipath AP 3610 and 3630
- D - Aruba Networks AP 135
- E - Aruba Networks AP 105
- F - Aruba Networks RAP5
- G - Extreme Networks 4611/4621

Figure 4

***NOTE:** No mounting bracket is required for the Cisco 1040, 1140, 1260, 3500, and 3600 series wireless access point. The mounting bracket above is used for the 12" x 10" x 6" ONLY. Lager enclosures come with a plastic mounting plate. Use self tapping screws to attach mounting bracket to the plastic mounting plate