

REVISION HISTORY				
ZONE	REV	DESCRIPTION	DATE	APPROVED
All	1	Released	1/29/2016	EAS

D

D

C

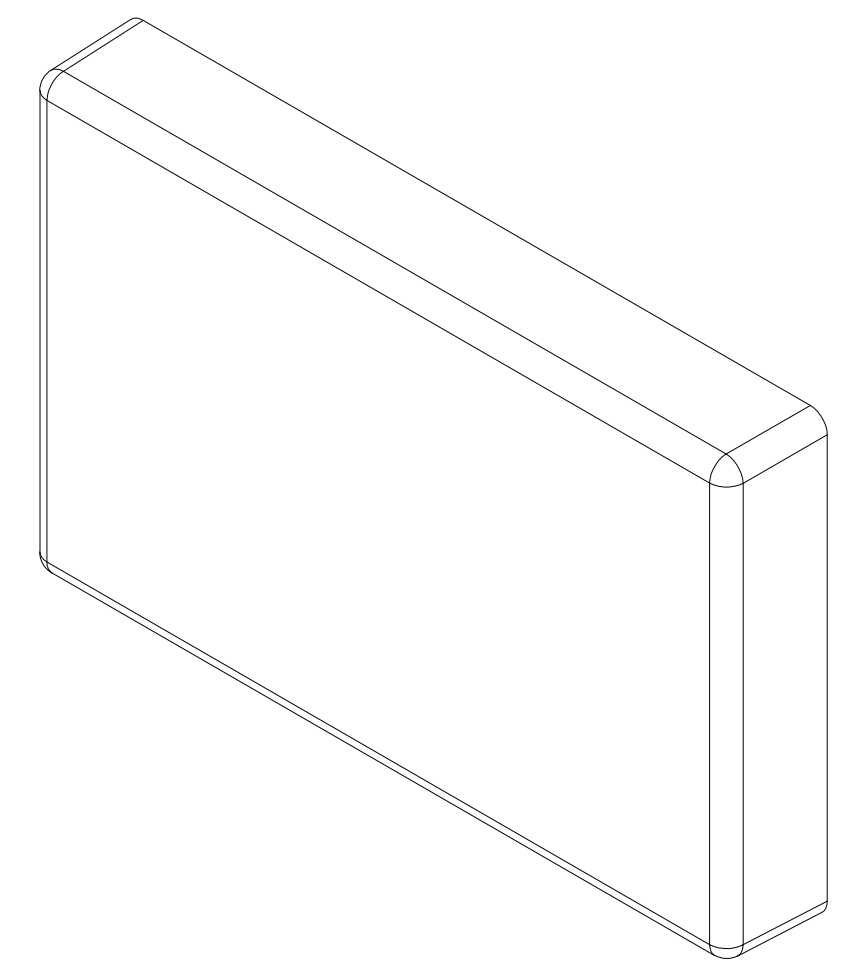
C

B

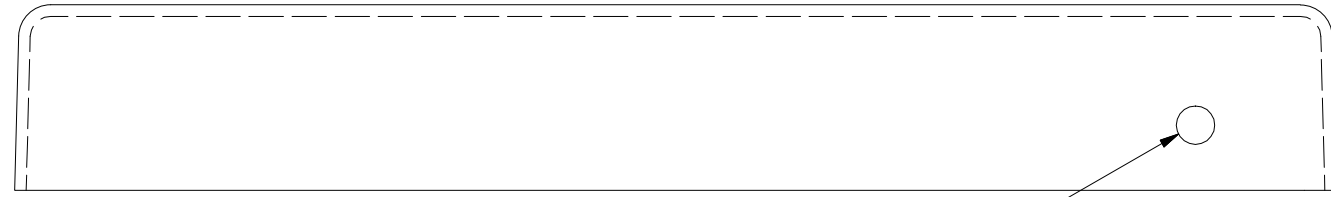
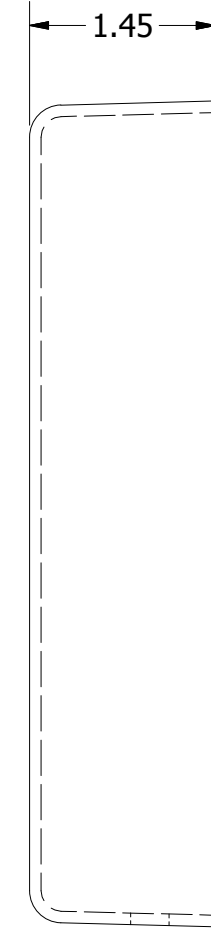
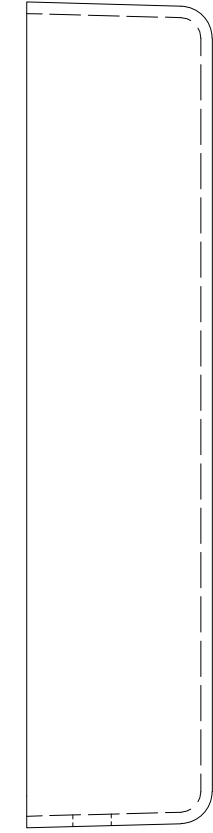
B

A

A



ISOMETRIC VIEW



LED Hole

NOTE:

- Material: .090" Thick Black Textured ABS/PVC Alloy
- UL Listings: UL 94 V-0, UL 94 5VA
- Fits Meraki MR32 and MR34
- Includes: Two Dual Lock Adhesive Backed Pads

DRAWN EAS	1/29/2016	Oberon, Inc. - 1315 S. Allen St. - State College, PA 16801		
CHECKED EAS	1/29/2016	TITLE		
QA		33-MR-COVER		
MFG EAS	1/29/2016	SIZE C	DWG NO 2581	REV 1
APPROVED EAS	1/29/2016	SCALE	SHEET 1 OF 1	
TOLERANCE:		.0 = +/- .030 .00 = +/- .015 .000 = +/- .005		

4

3

2

1

4

3

2

1