

# Installation Instructions

Model Number 1014-00

## Assembly Components:

- Articulating WAP and Antenna Mount – 1 each
- T-bar bracket – 1 each
- #6 - 32 x 1/4" screw (for attaching T-bar) – 2 each
- Installation Instructions – 1 each

If any of these items are missing, contact your Oberon representative.

Find a flat work surface to assemble the *mount*, *access point's mounting plate*, *T-bar clip*, and *antenna(s)* prior to mounting on wall or ceiling.

**Step 1** – Place the *mount assembly* on the work surface.

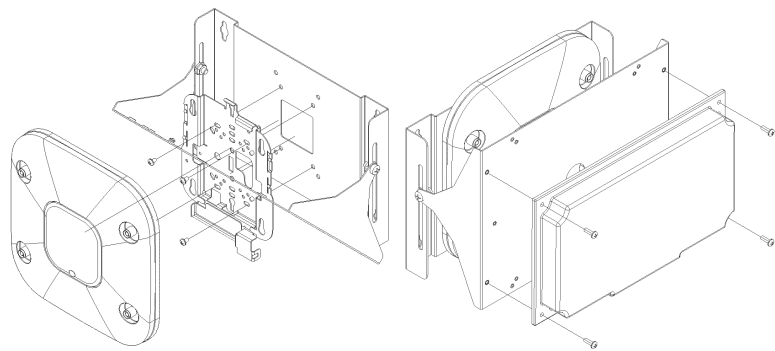


Figure 1

Figure 2

**Step 2 (Cisco Access Points Only)** – Securely fasten the *access point's mounting bracket* to the mounting plate using the included (4) # 8-32 x 1/4" screws (Figure 1).

**Step 3** – Use the legend on the back page to determine which hole pattern to use (Figure 8). Attach the antenna and the mounting plate to the swing arm of the mount with the (4) included #8-32 x 7/16" screws. (Figure 2). Attach antenna connectors to access point.

**Step 4 – (Aruba Networks Access Points Only)** – Attach the T-bar bracket to the swing arm (Figure 3) with 2 #6-32 x 1/4" screw. Then attach the T-bar clip to the T-bar bracket at a 45° angle and turn clockwise to attach. Attach the access point the T-bar clip in a similar fashion.

**Step 5** – See step 3.

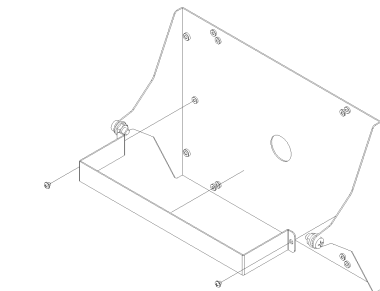


Figure 3

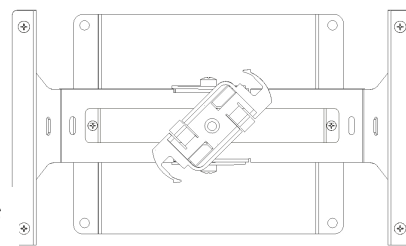


Figure 4

**Step 6** – Tighten the screws snugly in the four locations shown in Figure 5. This will allow the mount to swivel with out it freely moving around.

The mount is now ready for wall or ceiling mounting

**Step 7** – If possible, fasten the bracket to studs/joists using four #10 screws that are at least 2" long (Figure 6).

**Step 8** – Run the data and power cable (if required) to the access point.

**Step 9** – Articulate the antenna mount to the desired position and securely tighten down the screws in Figure 5 to keep the mount in the set position.

**Step 10** – Attach the cover using the appropriate fasteners for the surface of the wall (Figure 6).

Installation is complete.

**⚠\*\*IMPORTANT\*\*** - *It is important that the mount is securely fastened to the wall or ceiling to prevent human injury or damage to the access point.*

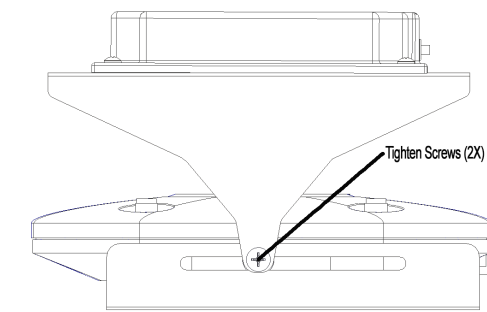


Figure 5

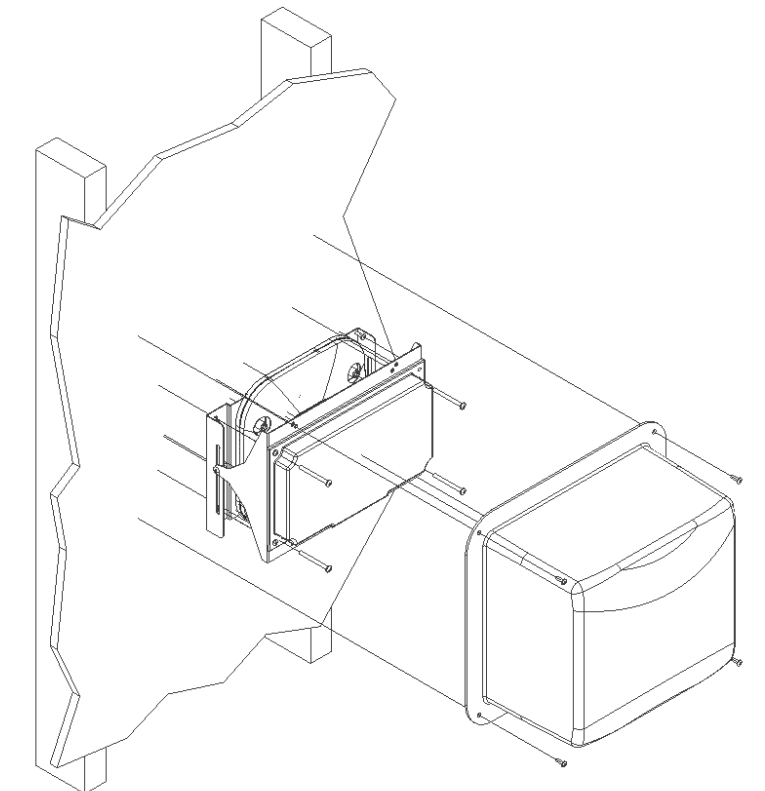


Figure 7



# MODEL 1014-00

## Installation Instructions

- A - Cisco AIR-AP-BRACKET-1
- B - Cisco AIR-AP-BRACKET-2
- C - Cisco AIR-ANT2566P4W-R Antenna and Mounting Plate Attachment Point
- D - Aruba Networks Antenna AP-ANT-17, AP-ANT-18, AP-ANT-25, and AP-ANT-35
- E - Aruba Networks Antenna AP-ANT-28 and AP-ANT-38

### \*\*\*\* WARNING \*\*\*\*

**Please thoroughly read the product warning below before installation to provide for a safe work environment.**

1. Always consider the hazard to other people:
  - a. During installation, use warning signs, etc.
  - b. Don't work with people directly below the work area as equipment could fall and cause an injury
2. Be sure to securely fasten the mount to the wall to prevent the mount from becoming dislodged.

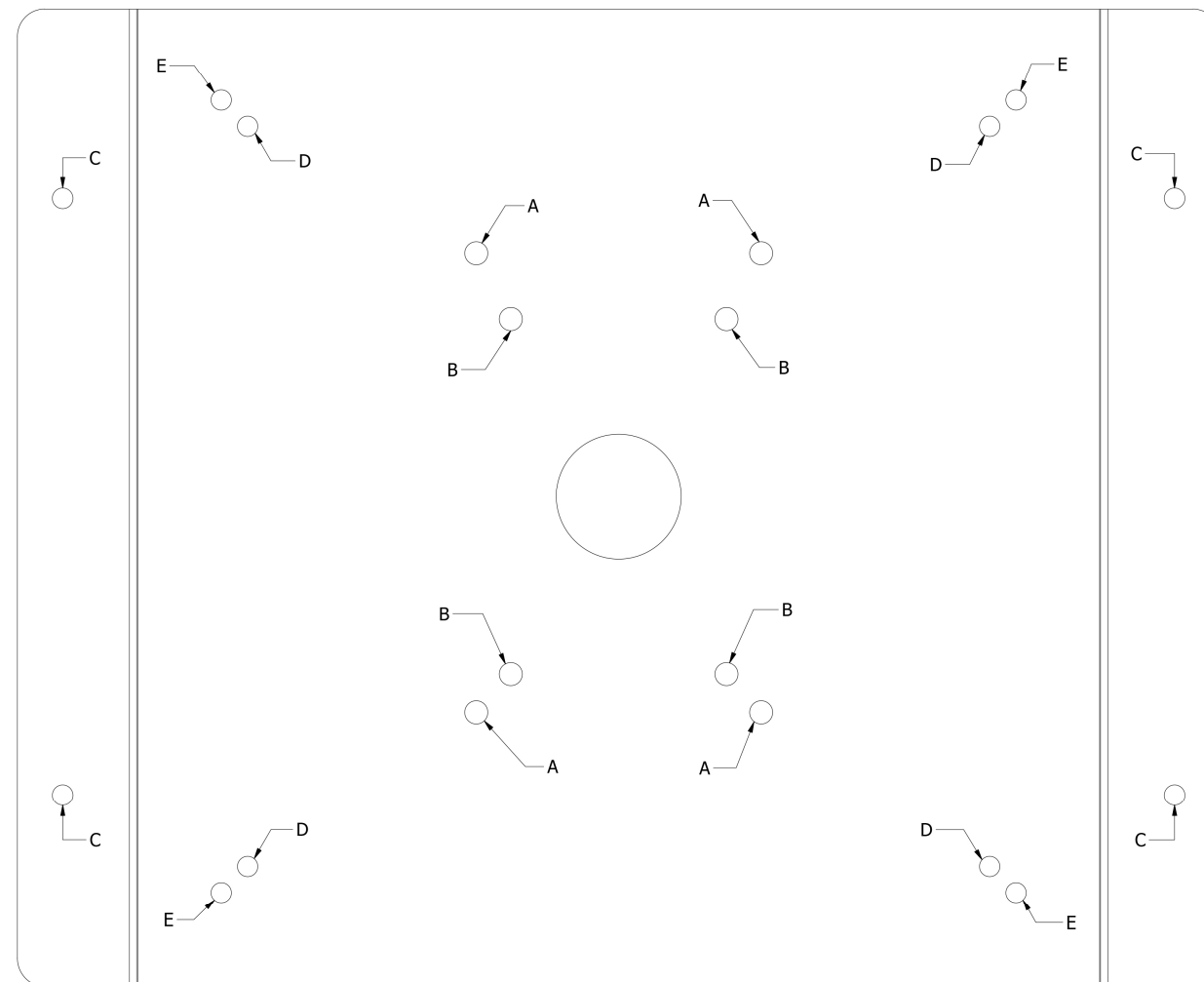


Figure 8