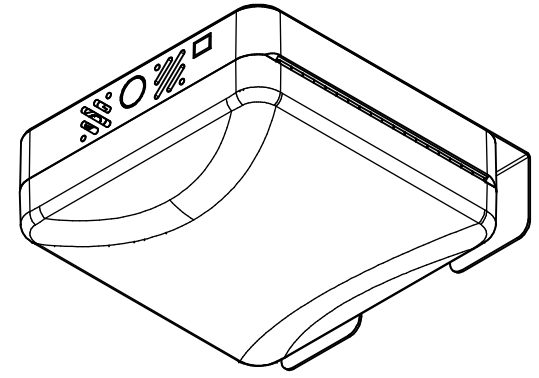
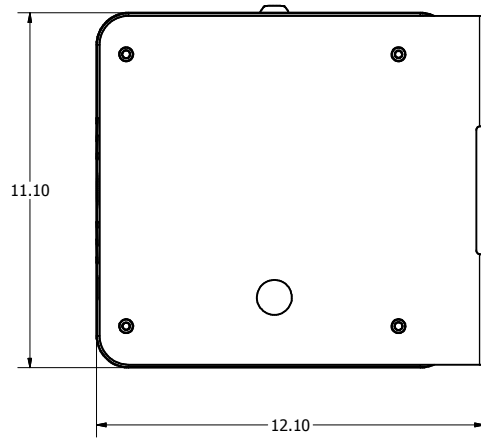
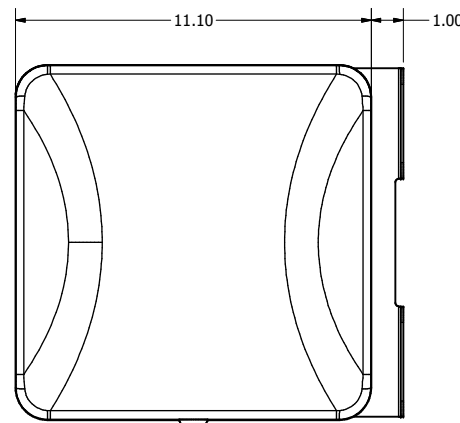
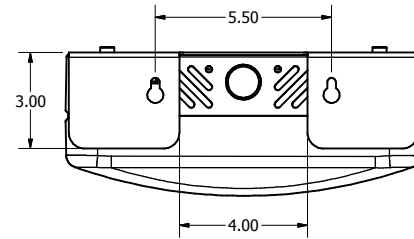
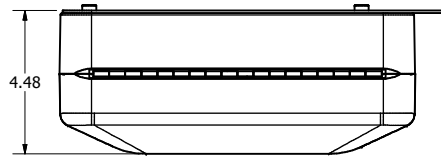
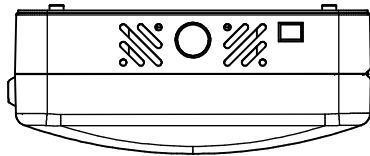


REVISION HISTORY				
ZONE	REV	DESCRIPTION	DATE	APPROVED
All	1	Released	5/11/2017	RLC



ISOMETRIC VIEW



NOTE:

- Material:
Enclosure: ABS plastic w/keyed lock and hinge
R/A Bracket: .075" Steel White Powder Coat
- Color Options:
1015-00-RAB - White cover
1015-C-RAB - Frosted clear cover
(both options have a white base)
- Weight: 7 lbs
- Mounts most access points with integrated antennas using Oberon's universal "T-Bar" mount

NOTE: All materials used in the construction of Oberon products must be RoHS compliant and meet RoHS2 Directive 2011/65/EU. Contact Oberon engineering if RoHS compliant materials are not available.

DRAWN	RLC	5/11/2017	Oberon, Inc. - 1315 S. Allen St. - State College, PA 16801		
CHECKED	RLC	5/11/2017	TITLE		
QA			Model 1015-00-RAB and 1015-C-RAB		
MFG	RLC	5/11/2017	SIZE	DWG NO	REV
APPROVED	RLC	5/11/2017	C	1015-RAB	1
TOLERANCE:			SCALE	SHEET 1 OF 1	