

MOUNTING SOLUTIONS FOR WiFi ACCESS POINTS



oBERON

A complete line of ceiling and wall mounting solutions and enclosures for securing wireless access points and other networking products where they are needed



AP MOUNTING SOLUTIONS FOR EVERY ENVIRONMENT

Oberon, Inc. is the leading manufacturer of WiFi access point enclosures and mounting solutions; offering the widest selection of products for practically every environment, including hospitals, schools, hotels, commercial and retail spaces, public venues, and outdoor or otherwise demanding environments. Oberon's products are used by wireless designers worldwide to facilitate design and installation of secure, high-performance, easily maintained, and aesthetic WiFi networks.

oberoninc.com

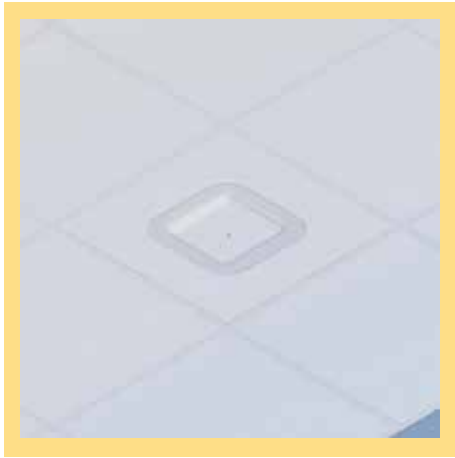

cisco

Solution
Partner

 **IDEAL** for
WIRELESS NETWORKS

WIRELESS ACCESS POINT MOUNTS AND ENCLOSURES

ECONOMY, RECESSED, FLUSH TO WALL OR CEILING



MODEL 1040

Economical access point recess installation kit for any suspended or cloud ceiling panel commonly used in commercial buildings, retail spaces and restaurants.



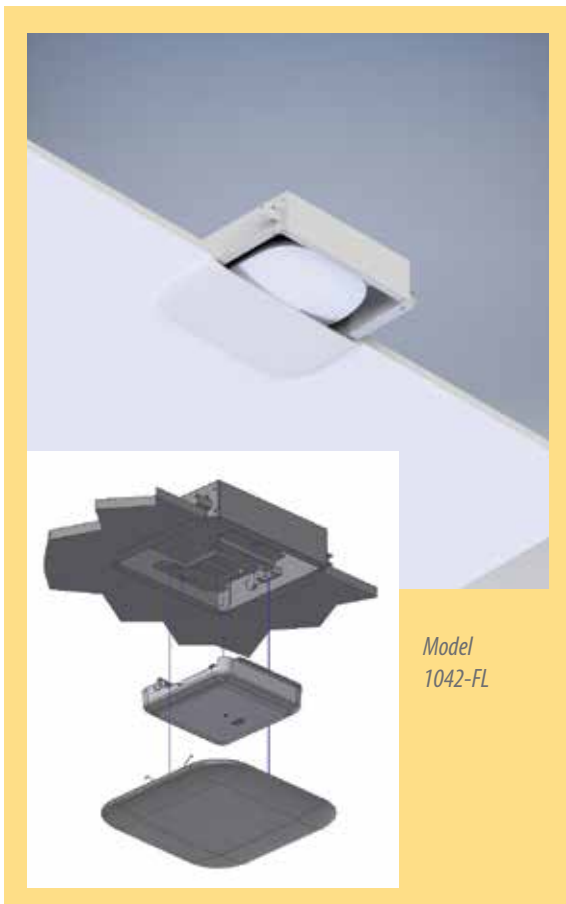
MODEL 1042

The simplest way to recess access points into existing hard ceilings or walls. Installs like recessed lighting (old construction or remodel).

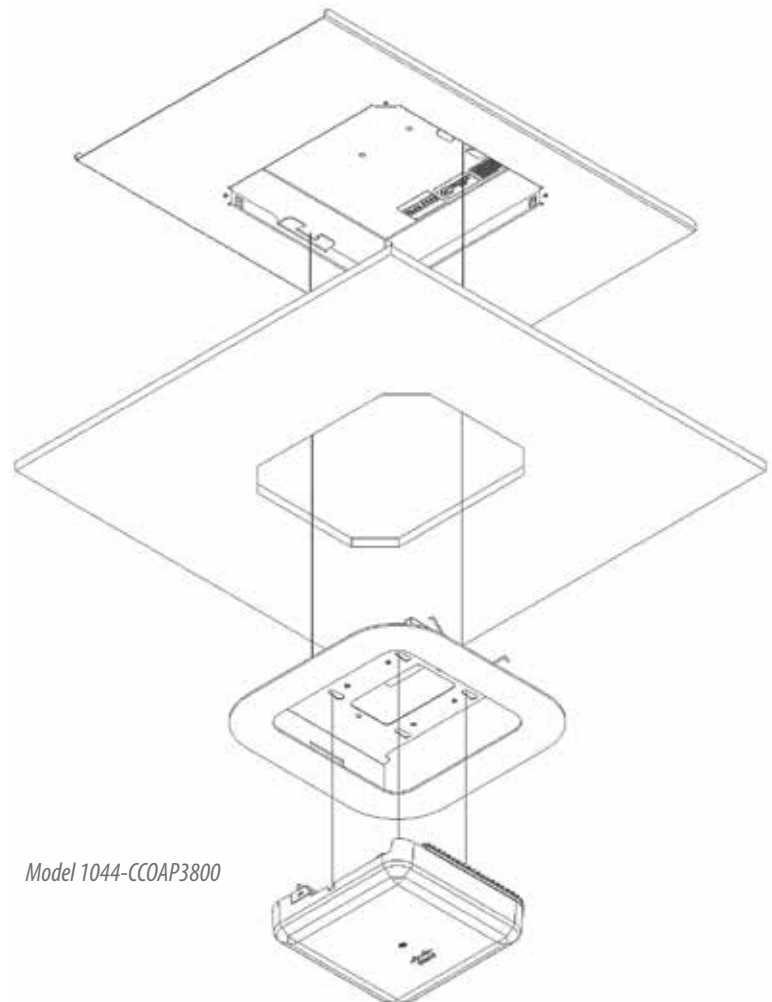


MODEL 1044

Economical access point recess installation kit for 2' x 2' suspended ceiling system, commonly used in commercial buildings, hotels, and schools.



Model
1042-FL



Model 1044-CCOAP3800

WIRELESS ACCESS POINT MOUNTS AND ENCLOSURES

LOCKING, SUSPENDED CEILING



MODEL 1047-HLA

Locking, suspended ceiling access point enclosure with larger door for Cisco Hyperlocation Antenna.



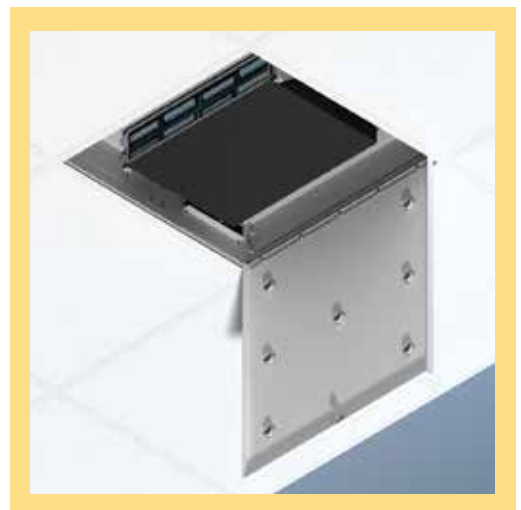
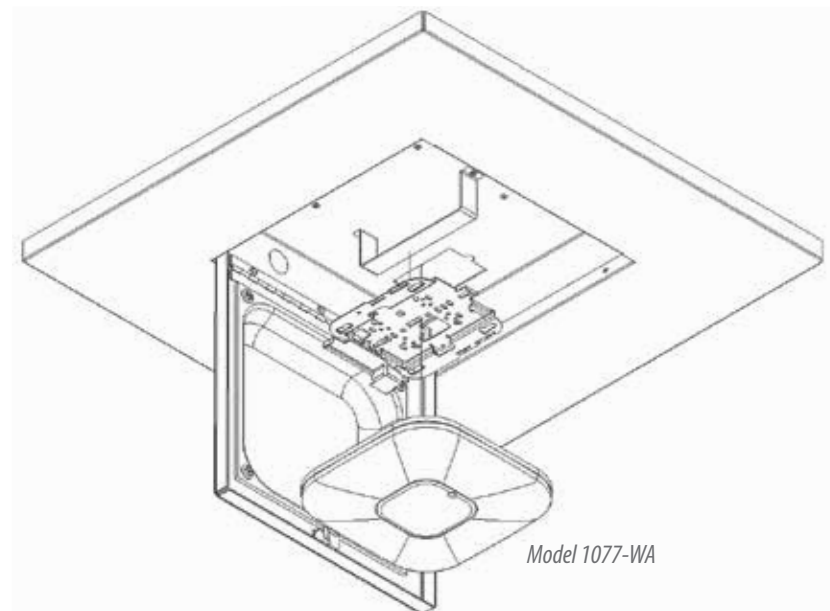
MODEL 1047-LPDOME

An economical ceiling tile enclosure with a plastic dome in the door, suitable for most vendors' APs.



MODEL 1077

Attractive suspended ceiling enclosure with lightweight, aluminum back-box and door. Ideal for classrooms, conference rooms, and hospitals.



MODEL 1047 ZONE ENCLOSURE

Create a consolidation point with this zone enclosure for mounting passive or low voltage equipment in the workspace. Fire-stopped openings in sidewalls are large enough for "plug and play" preterminated cabling and connectors

WIRELESS ACCESS POINT AND ANTENNA MOUNTS

SURFACE MOUNTING SOLUTIONS



MODEL 1013

2-axis articulating wall mount bracket for access point and antenna, provides superior directional coverage. Ideal for classrooms, auditoriums, conference halls, and stadiums.



Model 1011-00



MODEL 1006

Secure Cisco wireless access points with this low-profile right angle bracket in areas where wall mounting may be required, such as lecture halls, ballrooms, and other hard lid venues.



MODEL 1008

Mount access points in open ceiling environments, in the preferred horizontal orientation, includes beam clamp and paintable vanity cover. Ideal for restaurants and retail environments.



MODEL 1011

Achieve optimum wireless coverage by mounting WAPs in the preferred horizontal orientation with this right angle wall bracket. Ideal for hallways, conference halls, auditoriums, and other open areas.

WIRELESS ACCESS POINT AND NETWORKING GEAR

SURFACE MOUNTING SOLUTIONS



MODEL 1015

Protect wireless access points in this attractive, surface mount lock box. Ideal for hotels, schools, and residence halls. Made from durable ABS plastic, available with solid or frosted door.



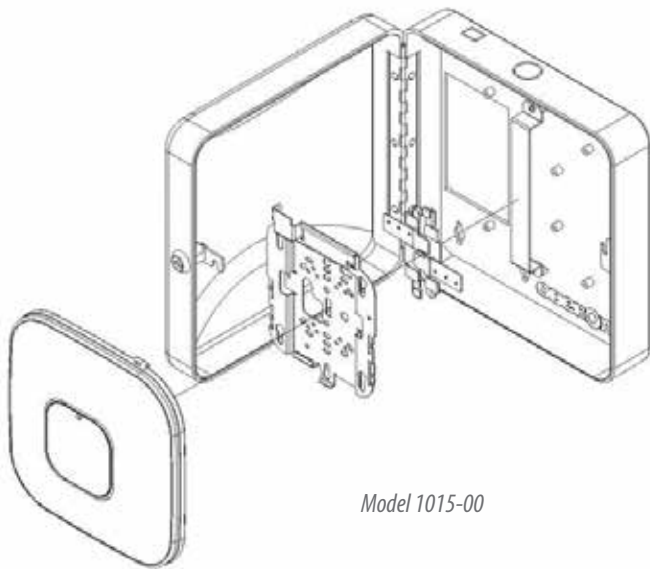
MODEL 1018

Designed to look like a light fixture, this rugged enclosure protects most vendors' APs in many environments. NEMA4 capability for outdoor installations



MODEL 900-HC

This hanging conduit or pendant mount box for wireless access points was designed to mount access points directly to a conduit hanging from the ceiling.



Model 1015-00



MODEL 1016

A larger surface mount lock-box secures access points, antennas, wireless routers, cables, and connectors in offices, retail locations, and other indoor venues.

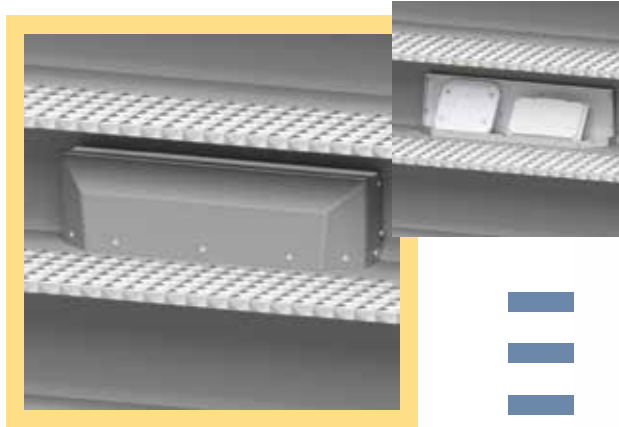
WIRELESS ACCESS POINT AND NETWORKING GEAR

INDOOR/OUTDOOR NEMA 4 ENCLOSURES



MODEL 1020-RAB

This NEMA 4 enclosure mounts the AP in the preferred horizontal orientation. It is ideal for mounting and protecting APs on walls and posts. The right-angle bracket doubles as a sun shield to protect the AP from over-heating.

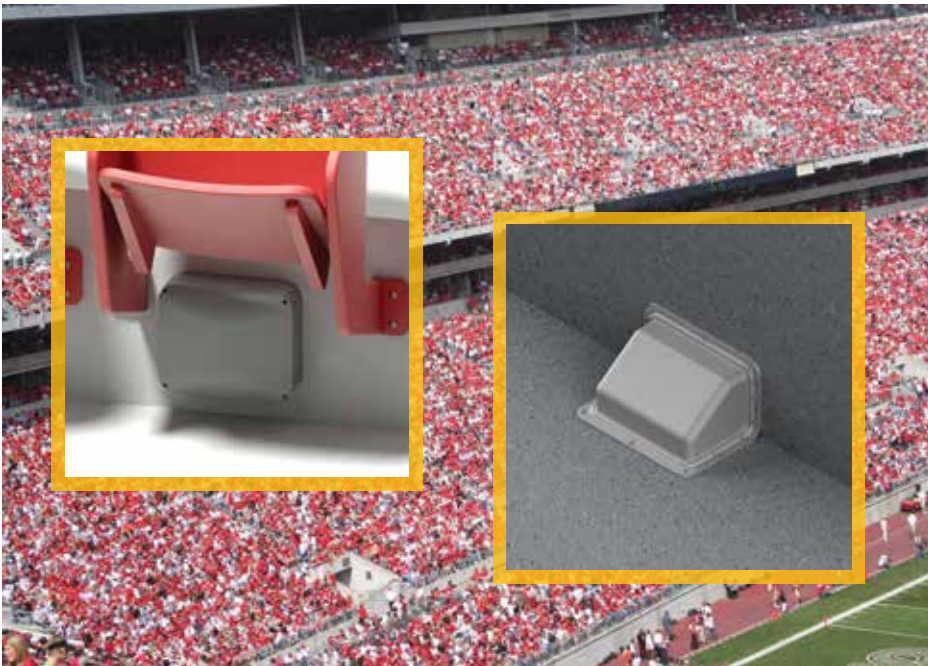


MODEL 3015

This rugged NEMA 4 enclosure protects the AP from weather, pressure spray, spilling liquids, dust, and impacts, and is transparent to wireless signals.



Model 3030-00

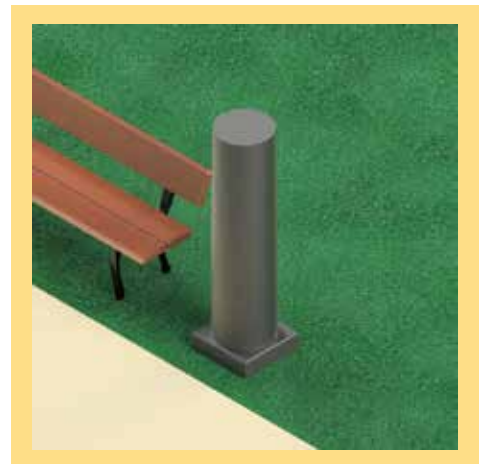


MODEL 1020

Protect wireless access points from the elements with this compact, attractive NEMA 4 enclosure. Ideal for under-seating installations in auditoriums, concert halls, stadiums, and other high-density applications.

MODEL 3010

Compact under-seat enclosure protects APs in high density WiFi deployments in public venues without impeding foot space. NEMA4 when properly sealed.



MODEL 3030

Protect critical wireless equipment in outdoor environments with Oberon's Model 3030 WiFi Bollard.

Toll Free: 1-877-867-2312

ACCESSORIES



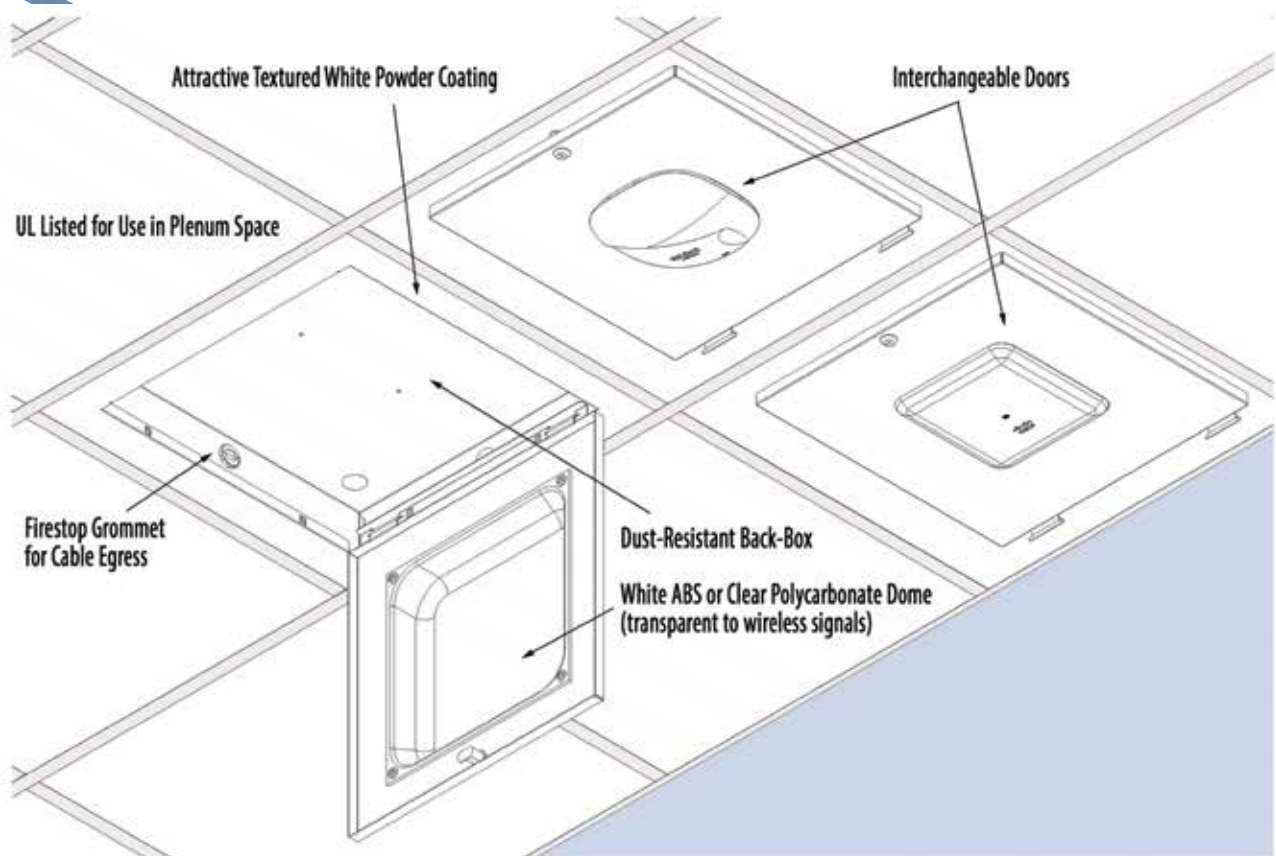
CHANGING ACCESS POINTS?

Future-proof the wireless installation with retrofit doors (for Oberon enclosures) and retrofit trim (for Oberon recess installation kits) for leading vendors' access points.



VANITY COVERS FOR ACCESS POINTS

Paintable, wireless-transparent, easy-to-attach vanity skins for leading vendors' access points.



1315 S. Allen St.
Suite 410
State College, PA 16801

oberoninc.com
Toll Free: 1-877-867-2312

