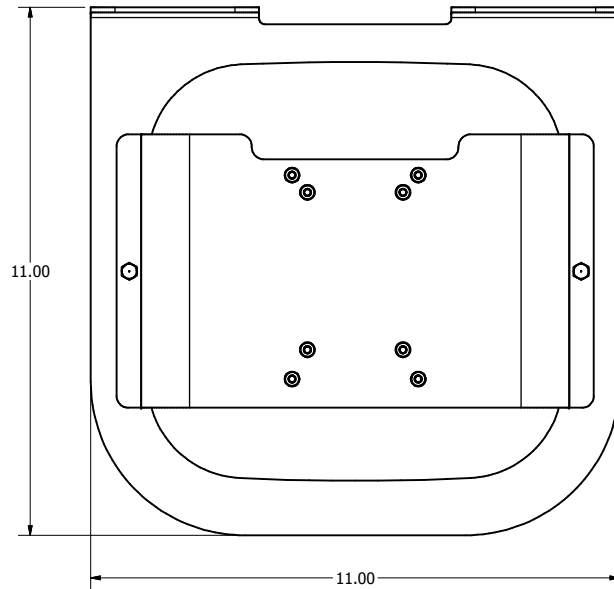
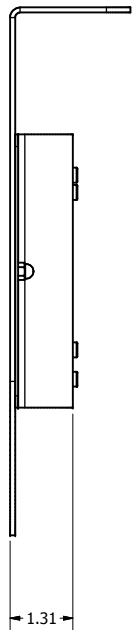
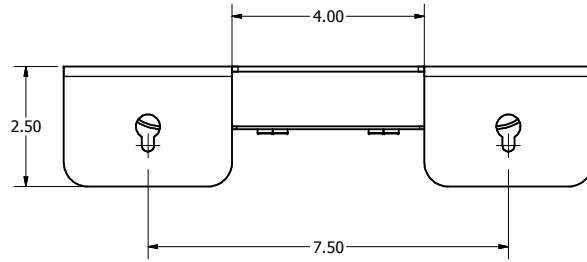


REVISION HISTORY				
ZONE	REV	DESCRIPTION	DATE	APPROVED
All	1	Released	12/22/2015	RLC



ORDERING INFORMATION:

MANUFACTURER/MODEL: OBERON ENCLOSURE MODEL:
 Cisco 2600/2700/3500/3700 Model 1006-CCOAP

NOTES:

- Weight: 6 lbs.
- Material: 10 Gauge Steel Base White Powder Coat
16 Gauge Steel Mounting Bracket White Powder Coat

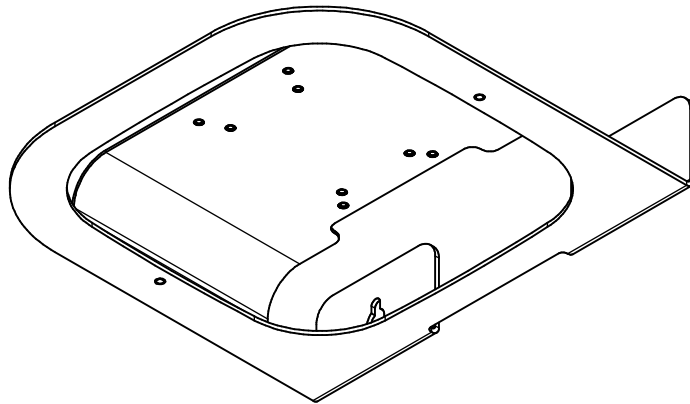
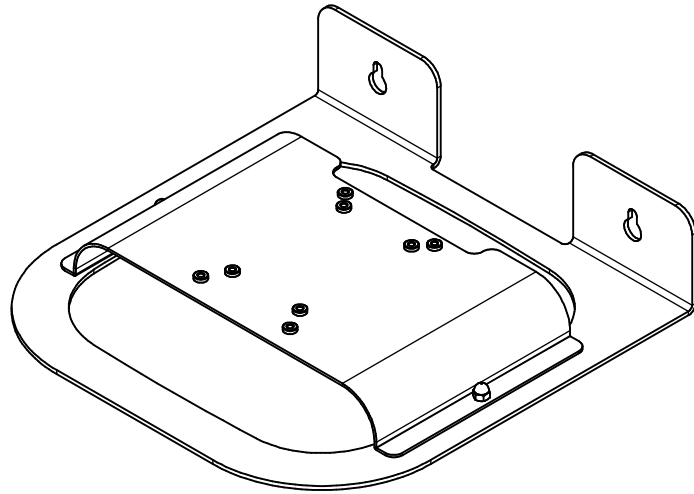
Includes:

- Installation Hardware for Access Point
- Hardware for wall attachment supplied by customer

NOTE: All materials used in the construction of Oberon products must be RoHS compliant and meet RoHS2 Directive 2011/65/EU. Contact Oberon engineering if RoHS compliant materials are not available.

DRAWN	RLC	12/22/2015	Oberon, Inc. - 1315 S. Allen St. - State College, PA 16801	
CHECKED	RLC	12/22/2015	TITLE	
QA			Model 1006-CCOAP	
MFG	RLC	12/22/2015		
APPROVED	RLC	12/22/2015		
TOLERANCE:	.0 = +/- .030	SIZE	DWG NO	REV
	.00 = +/- .015	C	1006-CCOAP	1
	.000 = +/- .005	SCALE	SHEET 1 OF 2	

ISOMETRIC VIEWS



DRAWN	RLC	12/22/2015	Oberon, Inc. - 1315 S. Allen St. - State College, PA 16801		
CHECKED	RLC	12/22/2015	TITLE		
QA			Model 1006-CCOAP		
MFG	RLC	12/22/2015	SIZE	DWG NO	REV
APPROVED	RLC	12/22/2015	C	1006-CCOAP	1
TOLERANCE:	.0 = +/- .030		SCALE		
	.00 = +/- .015				
	.000 = +/- .005				SHEET 2 OF 2