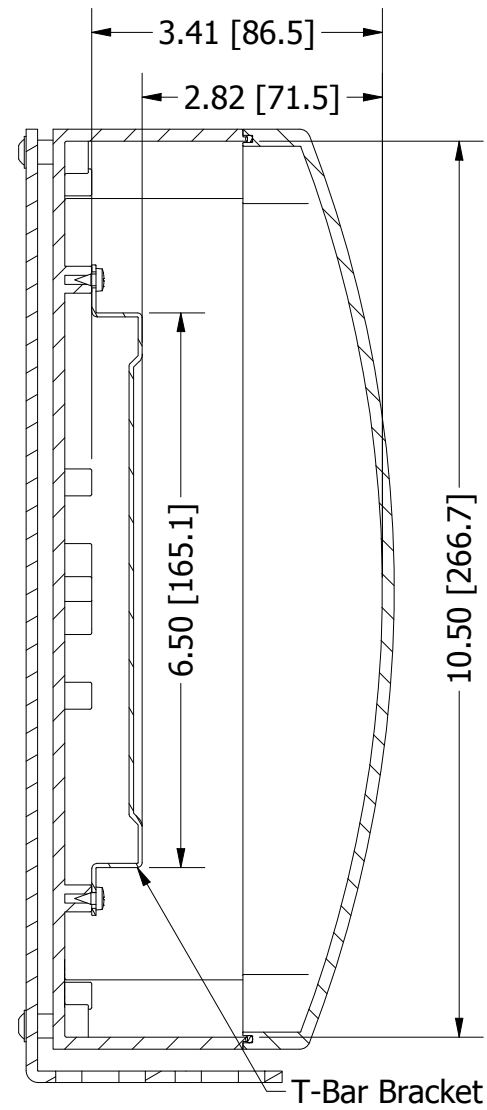
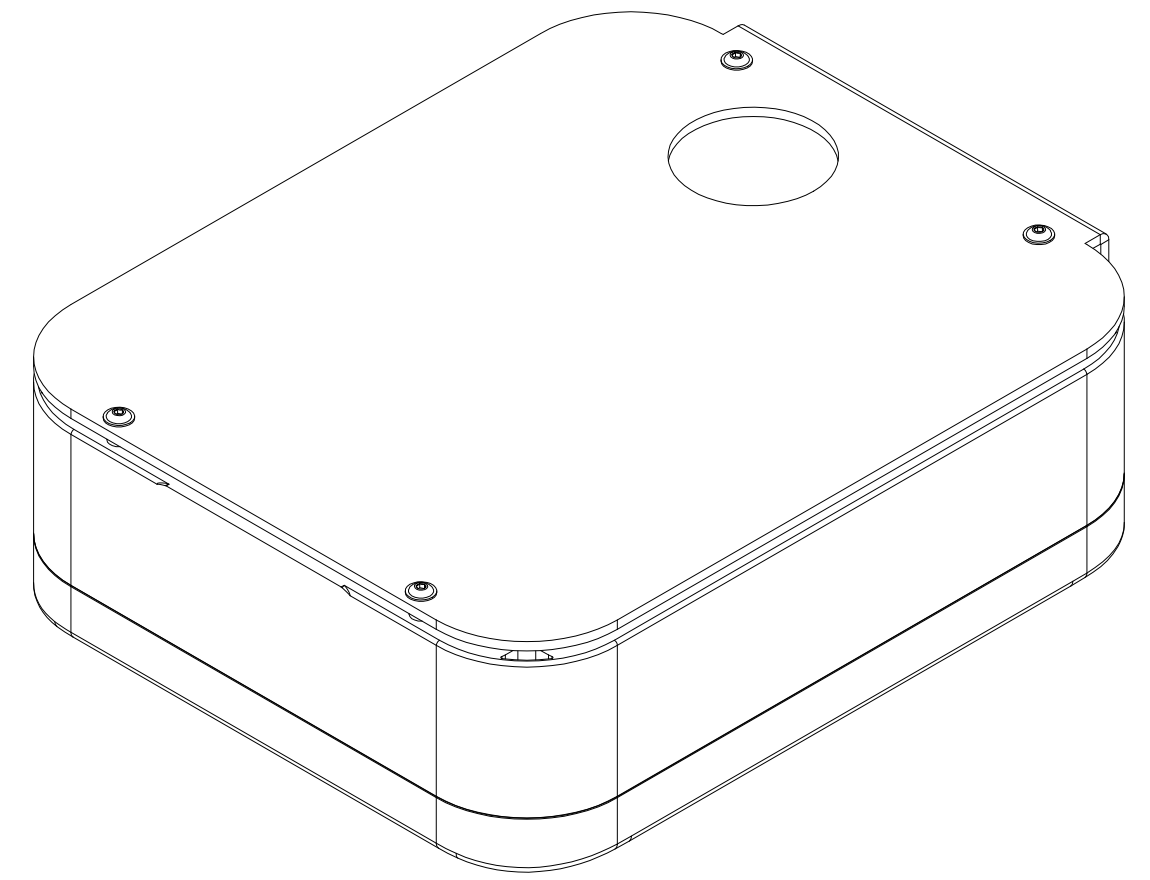
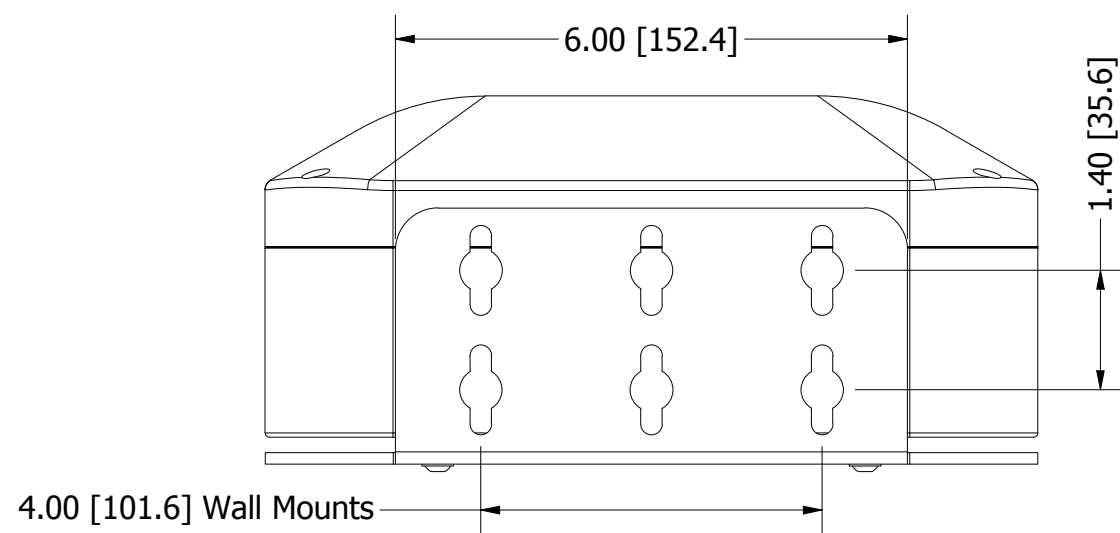
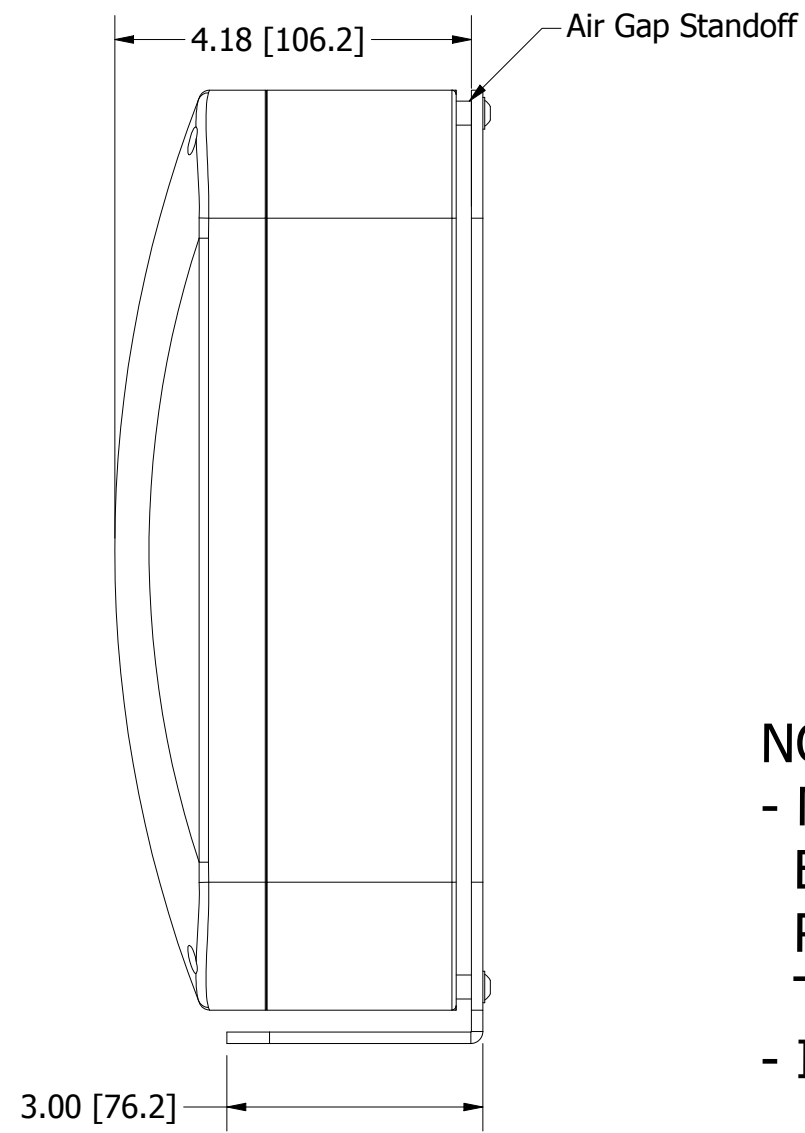
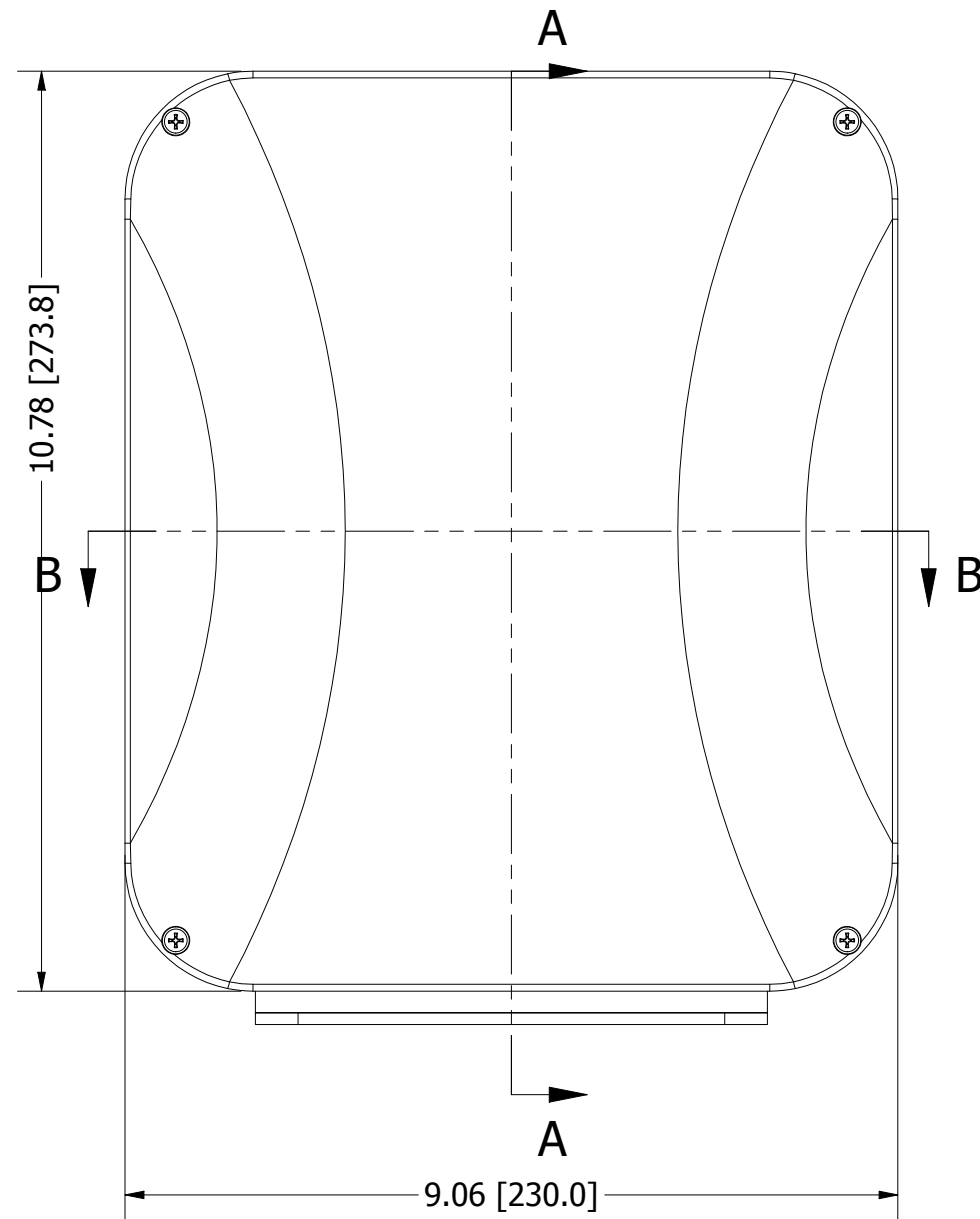


SECTION B-B  
SCALE 1 / 2.25



SECTION A-A  
SCALE 1 / 2.25



**NOTE:**

- Material:
- Base and Cover: Gray Textured UL94-V0 Polycarbonate
- Right Angle Bracket: Gray Powdercoat 10 Ga. Steel
- T-Bar Bracket: Gray Powdercoat 18 Ga. Steel
- Includes:
- (1) UL94-V0 Polycarbonate NEMA 4 Enclosure
- (1) Gray Powdercoated Right Angle Bracket
- (1) T-Bar Bracket
- (4) Cushioning Washers
- (4) M4x0.7 x 12mm Bracket Screws
- (4) M4x0.7 x 20mm Captured Lid Screws
- (4) M4x0.7 x 20mm Torx Captured Lid Screws
- (4) #6 x 1/4 Pan Head Screws
- (4) #6 x 1/4 Flat Head Screws
- (1) Installation Instructionst

DRAWN	EAS	7/21/2016	Oberon, Inc. - 1315 S. Allen St. - State College, PA 16801		
CHECKED	EAS	7/21/2016	TITLE		
MFG	EAS	7/21/2016	Model 1020-00-RAB Customer Print		
APPROVED	EAS	7/21/2016	SIZE	DWG NO	REV
TOLERANCE:	.0 = +/- .030		C	2356	14
	.00 = +/- .015				
	.000 = +/- .005				
			SCALE	SHEET 1 OF 1	