

4

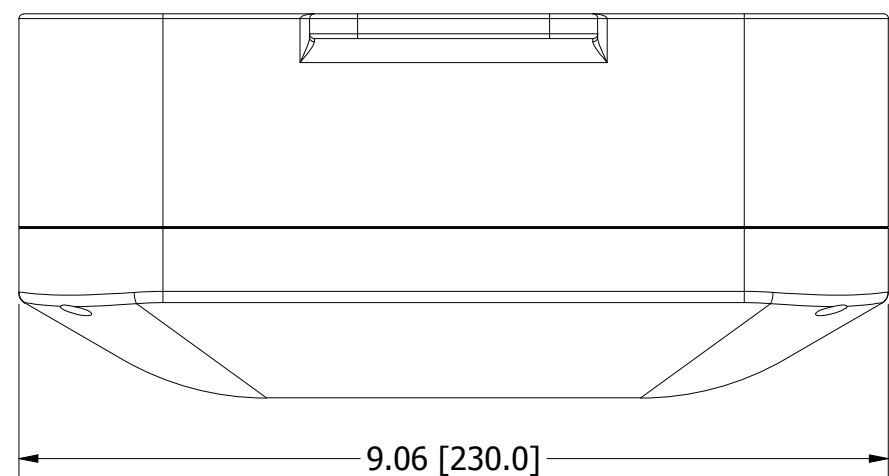
3

2

1

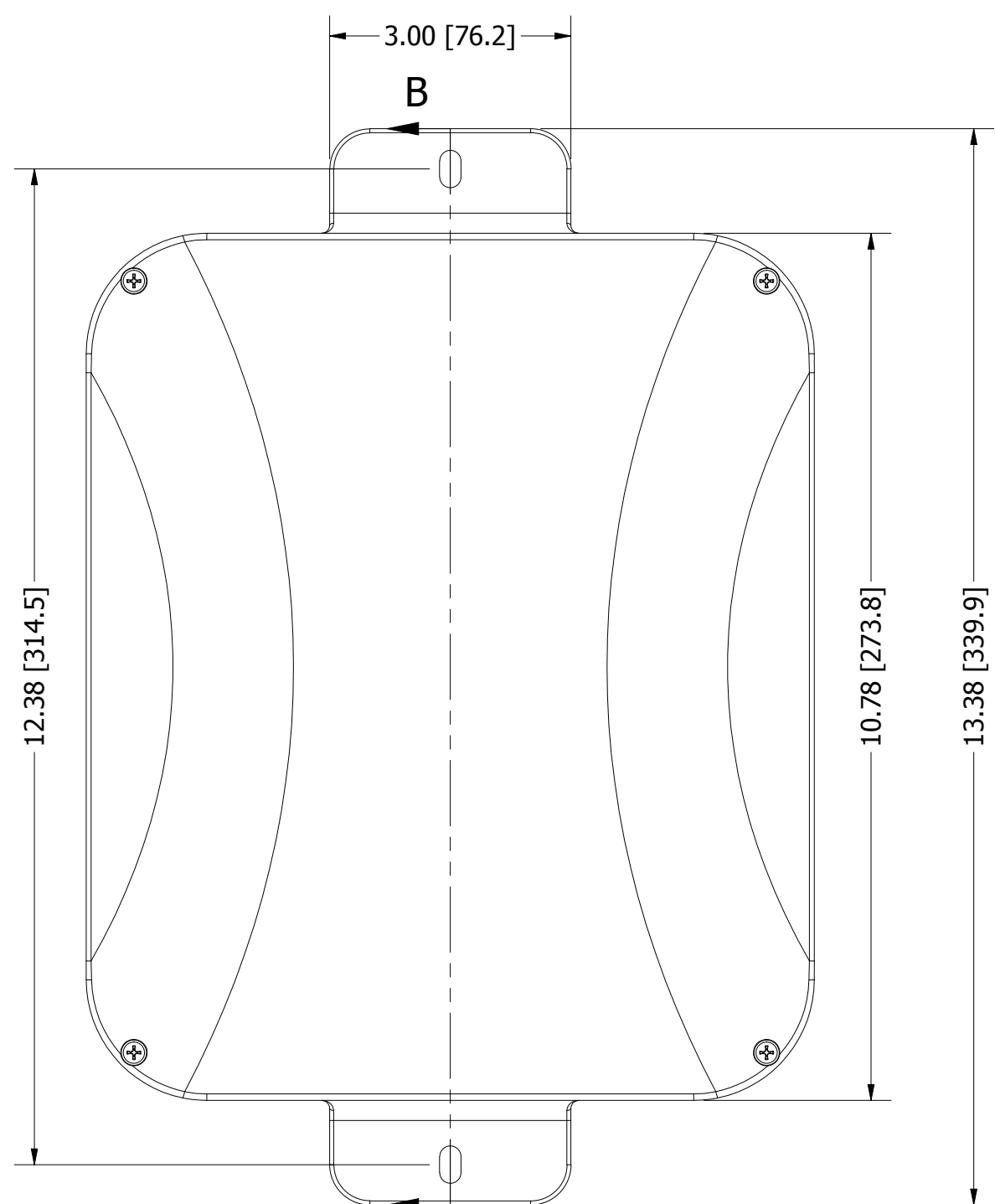
D

D



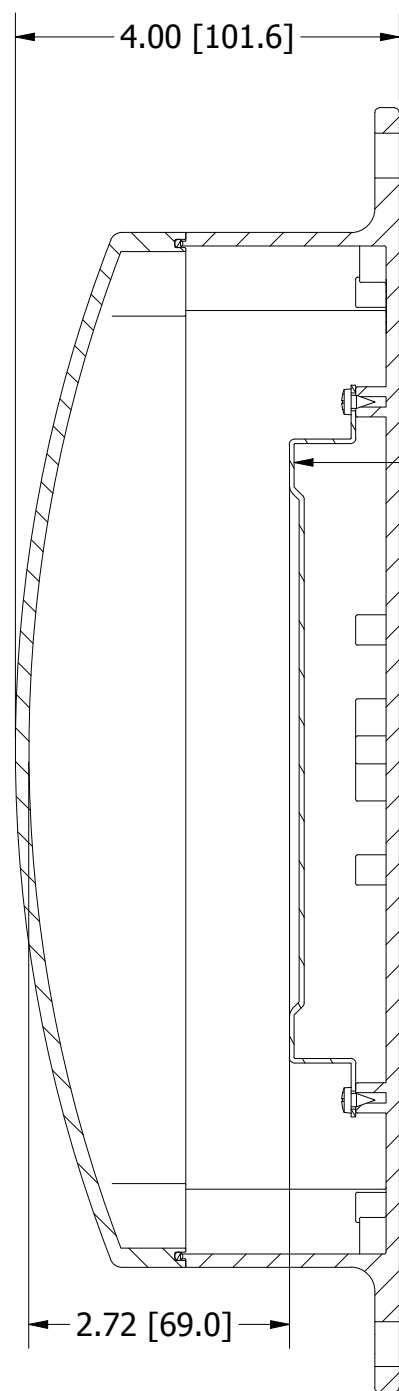
C

C



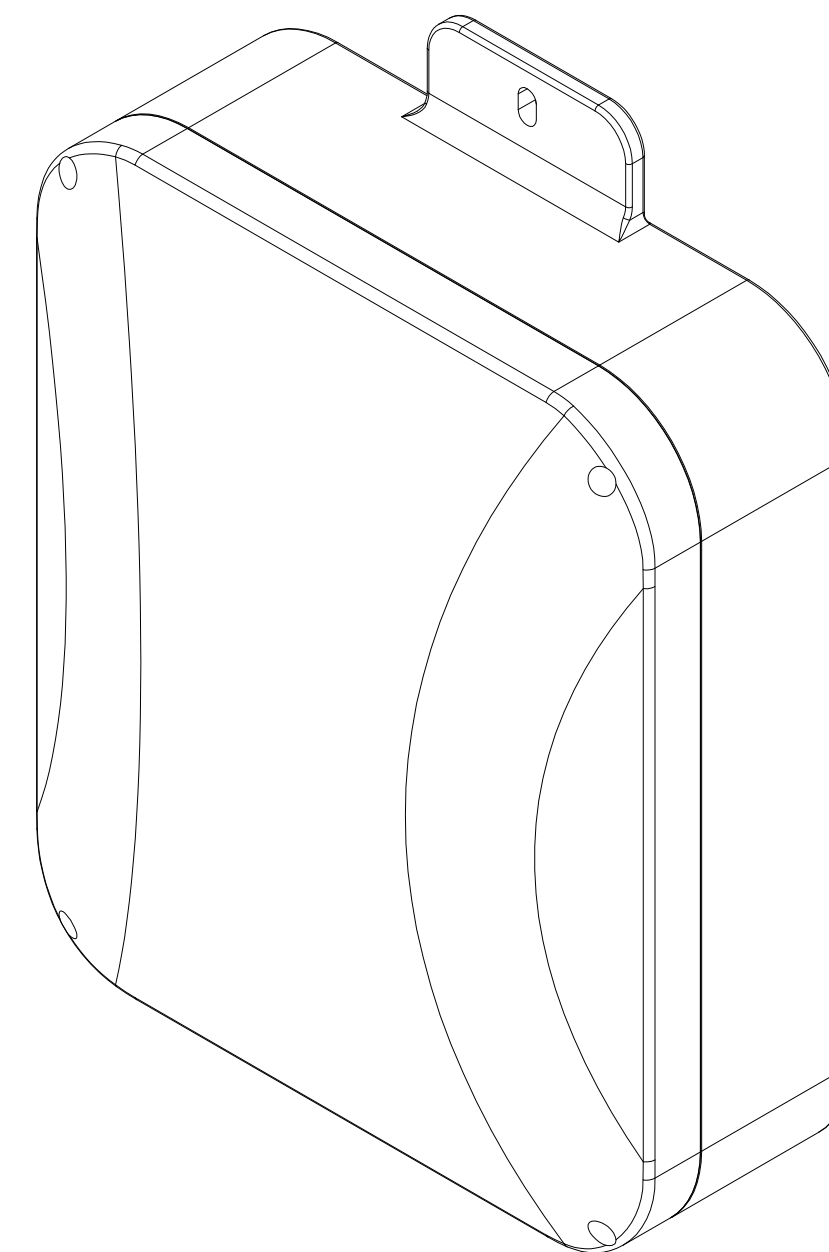
B

B



T-Bar Bracket

SECTION B-B
SCALE 1 / 2



ISOMETRIC VIEW

A

A

A

A

NOTE:

- Material:
Base and Cover: Gray Textured UL94-V0 Polycarbonate
- Includes:
 (1) UL94-V0 Polycarbonate NEMA 4 Enclosure
 (1) T-Bar Bracket (1)
 (4) #6 x 5/16" Pan Head Screws
 (4) #6 x 5/16" Flat Head Screws
 (4) Cushioning Washers
 (4) M4 x 20mm Captured Lid Screws
 (4) M4 x 20mm Torx Captured Lid Screws

DRAWN EAS	1/14/2014	Oberon, Inc. - 1315 S. Allen St. - State College, PA 16801		
CHECKED EAS	1/14/2014	TITLE		
QA				
MFG EAS	1/14/2014	Model 1020-00 Customer Print		
APPROVED EAS	1/14/2014	SIZE C	DWG NO 2111	REV Q
TOLERANCE:	.0 = +/- .030 .00 = +/- .015 .000 = +/- .005	SCALE	SHEET 1 OF 1	

4

3

2

1