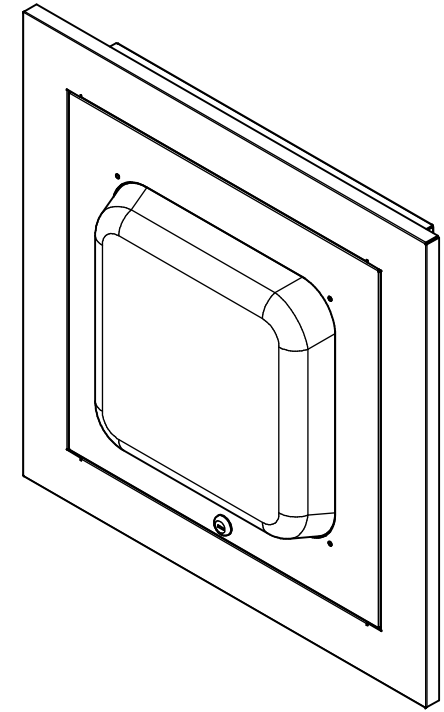
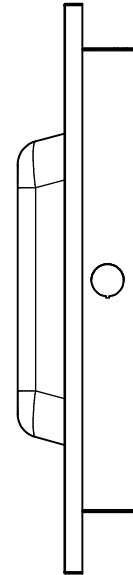
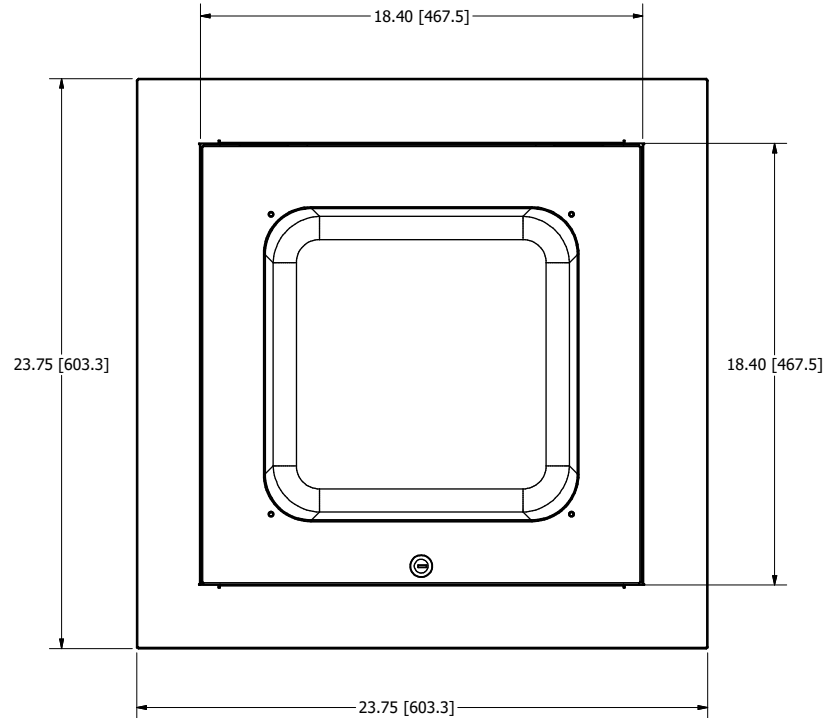
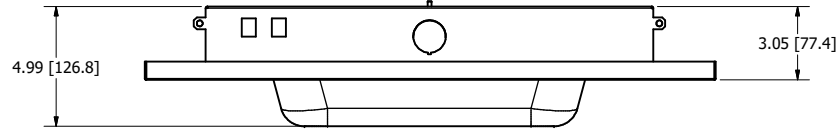


REVISION HISTORY				
ZONE	REV	DESCRIPTION	DATE	APPROVED
All	1	Released	06/21/2019	RLC



NOTES:

- Weight: 16 lbs.
- Material: 20 Gauge Galvanized Steel Backbox
18 Gauge Steel Door White Powder Coat
18 Gauge Steel Flange White Powder Coat
White ABS UL94-5VA Dome
18 Gauge Galvanized Steel Mounting Plate

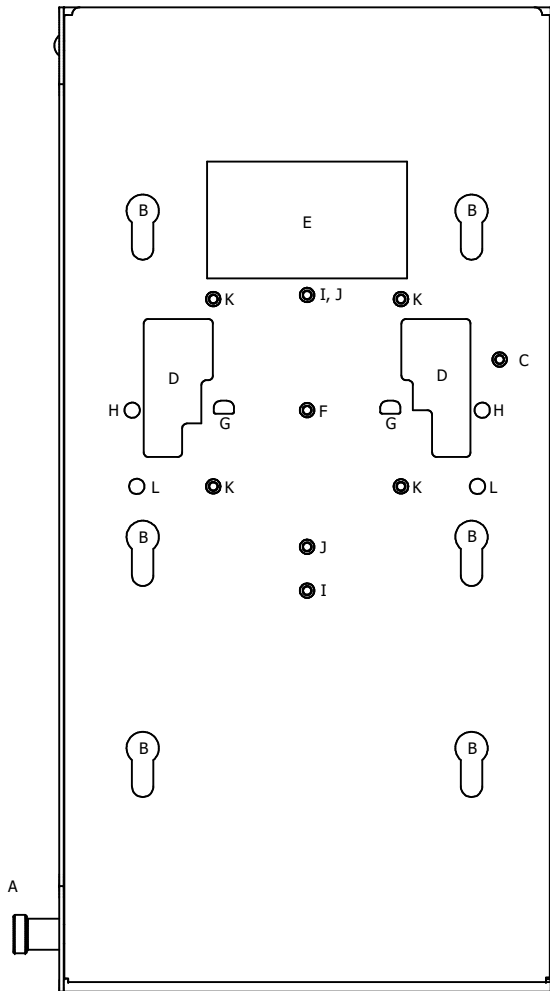
Includes:

- Fire Foam Grommet
- Conduit Fittings
- Installation Hardware Specific to Access Point

UL Listed - File Number E348543
OSHPD Approved - OPM-0110-13

NOTE: All materials used in the construction of Oberon products must be RoHS compliant and meet RoHS2 Directive 2011/65/EU. Contact Oberon engineering if RoHS compliant materials are not available.

DRAWN	RLC	6/21/2019	Oberon, Inc. - 1315 S. Allen St. - State College, PA 16801	
CHECKED	RLC	6/21/2019	TITLE	
QA			Model 1047-LPDOME & 1047-FPDOME	
MFG	RLC	6/21/2019	SIZE	DWG NO
APPROVED	RLC	6/21/2019	C	2568 & 3641
TOLERANCE:	.0 = +/- .030		SCALE	1
	.00 = +/- .015			
	.000 = +/- .005			
			SHEET 1 OF 2	



KEY:

- A: Pull to allow arm to swing down
- B: Openings for Cisco mounting feet
- C: Security screw for Cisco access points (install screw from back)
- D: Openings for Aruba 3XX series bosses
- E: Ethernet Opening for Aruba 3XX series APs
- F: Security screws for Aruba 3XX series APs
- G: Openings for Aruba 5XX series "D" shaped bosses
- H: Attachment screw openings for Aruba 5XX series APs
- I: Screw holes for Meraki AP (use "B" holes in Meraki Mounting plate)
- J: Screw holes for mounting plates with a single gang hole spacing
- K: Screw hole for mounting plates with 4" round gang box hole spacing
- L: Holes for direct attachment of Extreme 3935i

DRAWN	RLC	6/21/2019	Oberon, Inc. - 1315 S. Allen St. - State College, PA 16801		
CHECKED	RLC	6/21/2019	TITLE		
QA			Model 1047-LPDOME & 1047-FPDOME		
MFG	RLC	6/21/2019	SIZE	DWG NO	REV
APPROVED	RLC	6/21/2019	C	2568 & 3641	1
TOLERANCE:	.0 = +/- .030		SCALE		
	.00 = +/- .015				
	.000 = +/- .005				
					SHEET 2 OF 2