

39-303X-FOOTING-KIT

Anchor Bolt Kit for Oberon Models 3030 and 3032

Collection: Accessories | Series:

The Model 39-303X-FOOTING-KIT is an anchor bolt kit with template used to fasten Oberon bollard Models 3030 and 3032 to concrete foundations.

Features & Benefits

- Allows for bollards to securely fasten to concrete foundations
- Includes extra hardware for leveling

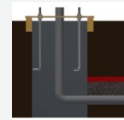
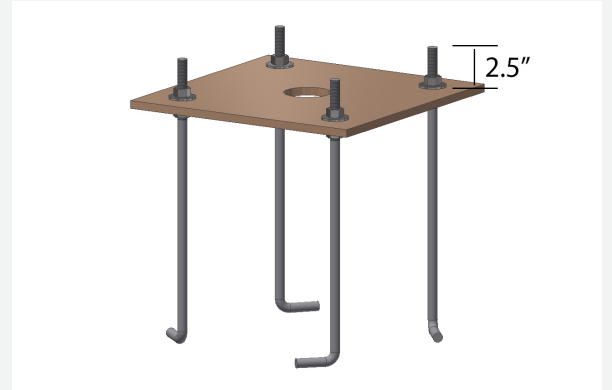
Technical Specifications

- 5/8 x 18 in. Galvanized Steel anchor bolts for durable and weather resistant installations
- 1:1 scale template for bolt placement in concrete form to match anchor base of Oberon equipment
- Durable Yellow-Chromate Plated hardware finish
- Made in the USA

Fits the following AP's:

Have questions about any of our solutions?

Contact us at **877-867-2312** or
Sales@oberoninc.com



Measurements (Maximum values*):

Width: 0.625 in.
Back-box: xx in.
Height: 18 in. Depth: xx in.
Item Weight: xx lbs.
Shipping Weight: xx lbs.

Includes:

- (1) Anchor Bolt Placement Template
- (4) 5/8 x 18 in. Long Anchor Bolts
- (8) 5/8 in. Nuts
- (8) 5/8 in. Washers