

33-MR55-CVR

Black, ABS plastic, stick on Vanity Cover for larger Meraki Wi-Fi Access Points

Collection: **Vanity Covers** | Series:

Conceal or customize the appearance of Wi-Fi APs with these detachable vanity covers. The vanity cover is made from an ABS plastic which is virtually transparent to wireless signals. The vanity cover is paintable, so you can customize the color of the AP to partially conceal the AP or compliment interior color schemes. Painting the vanity cover does not void the AP manufacturer's warranty. Available in sizes and shapes to match most leading APs. Ideal for open, exposed structure ceilings in hospitality and retail spaces. Includes stick on cover fasteners.



Features & Benefits

- Conceal Wi-Fi APs in open, exposed structure ceilings
- Thin ABS plastic is virtually transparent to wireless signal
- Attaches to AP with removable mushroom head fasteners (included)
- Vanity covers are paintable using an enamel spray paint such as Krylon (do not use oil based paint or metallic paint). The surface does not need to be treated
- Available in sizes and shapes for all leading APs

Technical Specifications

- Design: Attachable, paintable, black plastic vanity cover. Conceal AP in open, exposed structure ceiling environments
- Includes adhesive fasteners to attach cover to AP
- Construction: 0.090 in. thick, black, UL94-5VA ABS plastic
- Size: See the AP Vanity Selection Guide in the Resources section
- Made in the USA

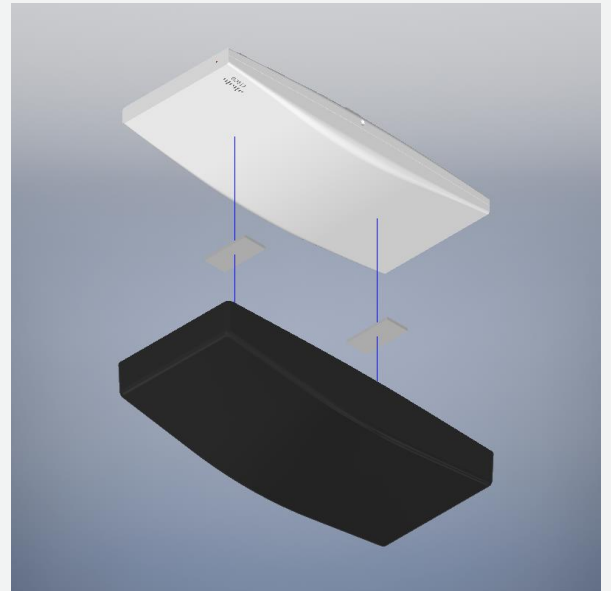
Fits the following AP's:

Meraki
MR45/46, MR55/56

Have questions about any of our solutions?

Contact us at **877-867-2312** or
Sales@oberoninc.com

Shown with AP (not included)



Measurements (Maximum values*):

Width: 13.2 in.
Back-box: xx in.
Height: 5.9 in. Depth: 2 in.
Item Weight: 1 lbs.
Shipping Weight: 2 lbs.