



Mounting Solutions for Wi-Fi Access Points

A division of Chatsworth Products

Solutions Guide

Simple Wi-Fi access point
mounting solutions for
every environment.

Secure Aesthetic Convenient

You need enclosures and mounting solutions for wireless access points in a wide variety of environments. Oberon ensures every wireless installation is secure, easy to maintain, and matches your aesthetic.

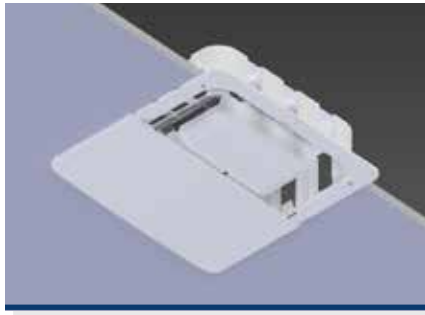
Quickly find your ideal mounting solution from among hundreds of options with Oberon's Solution Finder at OberonInc.com.

Envelop™

Panel, Suspended, and Hard Ceiling Recess Mounts



Wi-Fi access points (APs) and antennas, by their very nature, are highly visible. Oberon's Envelop ceiling mounting solutions recess the AP body into suspended, panel, or hard ceilings revealing only the wireless side of the AP. Optimum wireless performance is preserved while minimizing visual impact. These products are designed to aesthetically integrate wireless technology into any venue, especially architecturally, historically, or visually sensitive locales.



1018 and 1019 Series

These all plastic hard lid AP recess mounts have a paintable, low profile, snap-on cover making them ideal for applications where the AP needs to visually disappear. Swivel fasteners install the product in the ceiling in minutes.



1040 and 1044 series

Recess APs and antennas into panel and suspended ceilings. These UL listed mounts reveal only the antenna face of the AP, concealing the body and cabling behind the ceiling. Ideal for optimizing performance and minimizing visual impact. Snap-in interchangeable trims available for all leading APs.



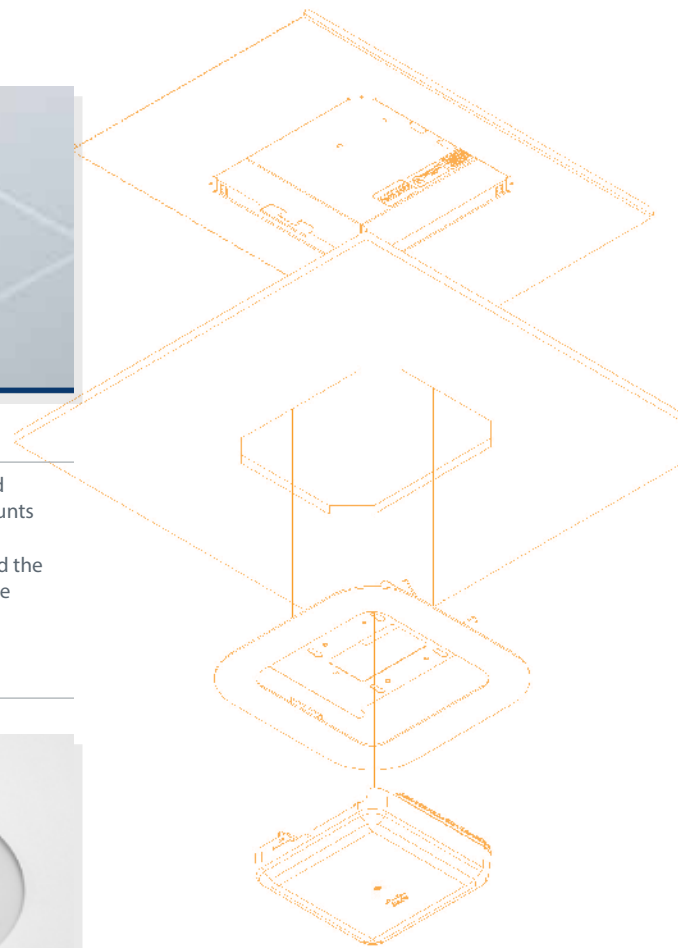
1042 and 1043 Series

Recess APs into hard ceilings and walls with this all-metal, UL listed mount. Designed for existing construction (Model 1042) and new construction (Model 1043). Snap-in interchangeable trims available for all leading APs.



Interchangeable Trims

Interchangeable trims for the 1040, 1042, 1043, 1044 recess mounts allow you to easily retrofit your installed Oberon mount with new APs, or conceal APs with low profile, paintable plastic covers.



This UL-listed family of mounts is designed to recess APs into suspended ceiling tiles, ceiling panels, and hard ceilings.



Wi-Tile™

Suspended and Hard Ceiling Locking Enclosures



These locking Wi-Fi access point (AP) enclosures provide security without compromising connectivity. Designed to replace a standard suspended ceiling tile, a full back box permits access to the AP without opening the plenum space. This simplifies Infection Control Risk Assessment (ICRA) procedures in hospitals. Ideal for healthcare, financial, retail, and government facilities where security is paramount. The Wi-Tile surface finish matches most ceilings.



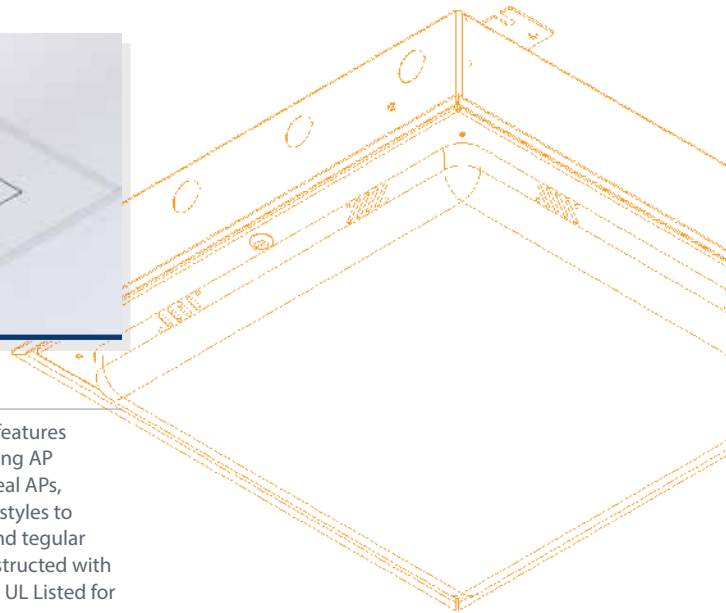
1047 Series

This locking ceiling tile enclosure features easy lift out interchangeable doors for all leading AP vendors, or plastic domes to conceal APs, cables, and antennas. Available in styles to match both standard lay-in tiles and tegular tiles in recessed ceiling grids. UL Listed for low voltage applications.



1077 Series

This locking ceiling tile enclosure features interchangeable doors for all leading AP vendors, or plastic domes to conceal APs, cables, and antennas. Available in styles to match both standard lay-in tiles and tegular tiles in recessed ceiling grids. Constructed with a lightweight aluminum back box. UL Listed for low and line voltage applications.



Antennas and APs mounted in the enclosure door, or concealed behind plastic domes, provide ideal antenna patterns.



1074 Series

This is a locking, suspended ceiling mounted zone enclosure designed for passive or active networking equipment. Large enough for up to four Wi-Fi or small cell access points. Convenient swing-down panel facilitates servicing and cabling. UL Listed for low and line voltage applications.



1076 Series

This locking, recessed hard ceiling or recessed wall mounted enclosure features interchangeable doors for all leading AP vendors, or low loss plastic domes to conceal APs, cables and antennas. Constructed with a lightweight aluminum backbox. UL Listed for low and line voltage applications.

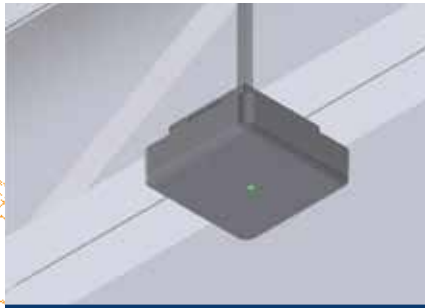


H-Plane™

Open Ceiling and Right-Angle Wall Mounts



H-Plane™ right angle wall brackets allow the access point (AP) to be mounted on the wall in the ideal horizontal orientation for optimized wireless performance. Enhance wireless coverage in large venues such as auditoriums, conference rooms, exhibit halls, or open ceilings. Detachable vanity covers help conceal APs, cables, and antennas. Mounting solutions are available for all leading AP models.



900 Series

Mount APs on hard walls and ceilings, or on hanging conduit. Mounting features for all leading APs. Terminate cabling and connectors in box. Available in white or black with paintable snap-on vanity covers to conceal APs in open ceilings.



1007 Series

Mount APs on walls in the preferred horizontal orientation with this attractive right-angle bracket. The low-profile design recesses the AP into the bracket revealing only the antenna face of the AP and concealing the cabling. Interchangeable trims available for all leading APs.

Right-angle wall brackets facilitate professional AP installations when ceilings are inaccessible or not suitable.



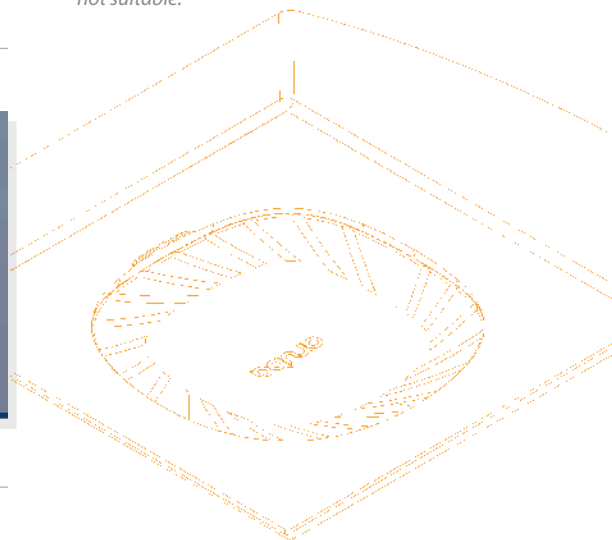
1008 Series

This right-angle bracket is designed to mount APs on walls, joists, and beams in the preferred horizontal orientation. Includes wall anchors and beam clamps. Available with black, paintable, snap-on vanity covers to conceal APs.



1011 Series

Mount APs on walls in the preferred horizontal orientation. Mounting features for all leading APs simplifies technology upgrades and migration. White, powder-coated steel construction is sturdy enough for the heaviest APs. A hinged lid conceals component outlets and cabling.



Hi-Bar™

Indoor Wall and Hard Ceiling Surface Mounts



Wi-Fi access points (APs) are getting larger and more difficult to blend into architecturally sensitive environments. Oberon's Hi-Bar mounts and enclosures are ideal for securing, protecting, and concealing APs, cabling, and antennas on walls and hard ceilings. Designed for professional Wi-Fi installations in commercial, healthcare, and education venues. Mounting solutions are available for all leading AP models.



1013 Series

Surface mount both APs and directive antennas on this bracket. A two-axis articulating bracket permits antennas to be pointed in the desired direction for zones of wireless coverage. A white plastic vanity cover snaps on to conceal antennas and APs.



1015 Series

This ventilated, paintable, impact-resistant ABS plastic AP lock box is virtually transparent to wireless signals. Surface mount for walls and hard ceilings wherever APs need extra protection. Available with opaque white and clear covers.



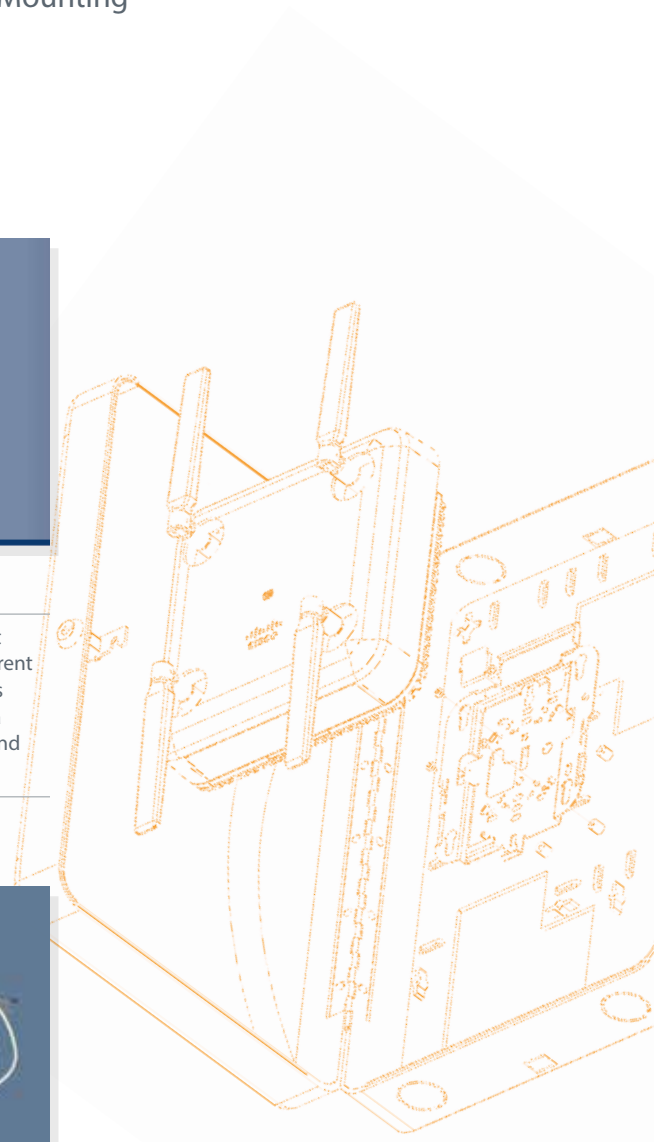
1016 Series

Lock and secure larger APs with external omni-directional or directional antennas in this durable polycarbonate lock box. Conceal APs, antennas, connectors, and cabling. Box is virtually transparent to wireless signals. Available with opaque white and clear covers.



M-Frame

Quickly install and mount access points and antennas from most vendors on this universal mounting frame. Options are available for mounting on beams, poles and ceilings in just about any industrial or warehouse environment.



Conceal and protect APs, antennas, and cabling when they must be mounted on the wall.

Skybar™

Outdoor and Public Venue Access Point Enclosures

Oberon's Skybar outdoor products feature concealed hinges and mounting features, rounded corners, and attractively colored and textured surfaces. Conceal and protect access points (APs), antennas, and cables in outdoor environments, campuses, beneath stadium and auditorium seats, or other venues where the AP needs to be protected from weather and tampering.



1020 Series

This Skybar™ NEMA4 enclosure is compact enough to mount unobtrusively on light poles or underneath venue seating. The rugged polycarbonate blend protects APs from weather, tampering, and physical damage. Available with many mounting accessories including right angle brackets and 30° under-seat mounts.



1021 Series

Mount larger APs with external omnidirectional or directional antennas in this durable polycarbonate blend Skybar™ NEMA4 enclosure. This box is virtually transparent to wireless signal and is available with a pole mounting kit and articulating antenna bracket.

A wide selection of enclosures and mounting solutions facilitate wireless deployments in almost any outdoor or public venue.



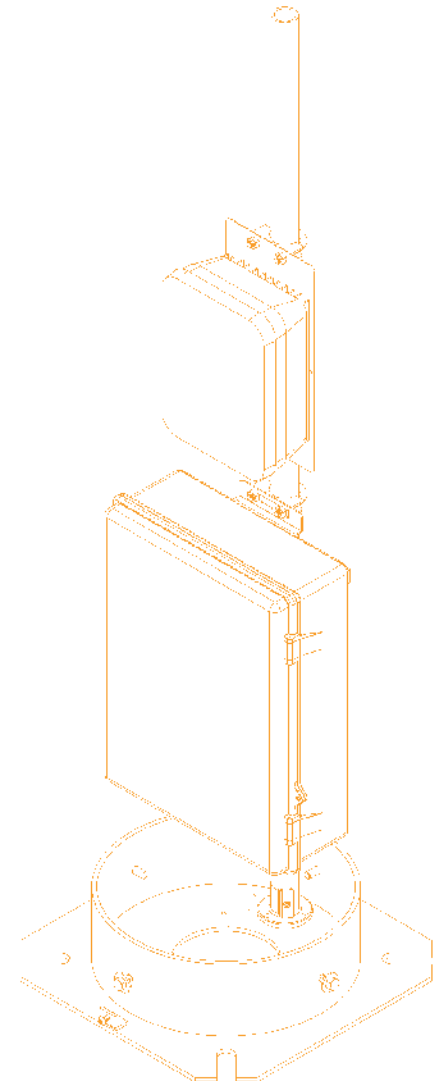
3030 Series

Heavy-duty fiberglass NetPoint bollard will protect Wi-Fi and small cell infrastructure just about anywhere. Designed to protect and secure even large outdoor-rated wireless APs from most vendors in public spaces such as streets, bus stops, public parks, etc. Available in a wide selection of colors.



3032 Series

Durable plastic Netpoint™ Wi-Fi Bollard is designed to put wireless infrastructure where it needs to be on throughout campuses and outdoor spaces. Protect and secure outdoor Wi-Fi access points from most vendors. Polyethylene plastic is virtually transparent to wireless signals. Available in a wide selection of colors.



Switching Out Access Points?

Oberon offers a wide variety of retrofit doors and trims for all leading access point vendors. Upgrading to the newest wireless technology is challenging enough. With Oberon's products, new installation is simplified.

Interchangeable Doors



Need To Just Cover It Up?

Most access points are bright white. Sometimes it's preferable to conceal the AP in a dark ceiling. Our vanity covers can help blend your existing mounting solution into the new aesthetic.

Vanity Covers



Have questions about any of our solutions?

Contact us at **877-867-2312**
or **Sales@OberonInc.com**.



1315 S. Allen St.
Suite 410
State College, PA 16801
+1 877-867-2312
OberonInc.com